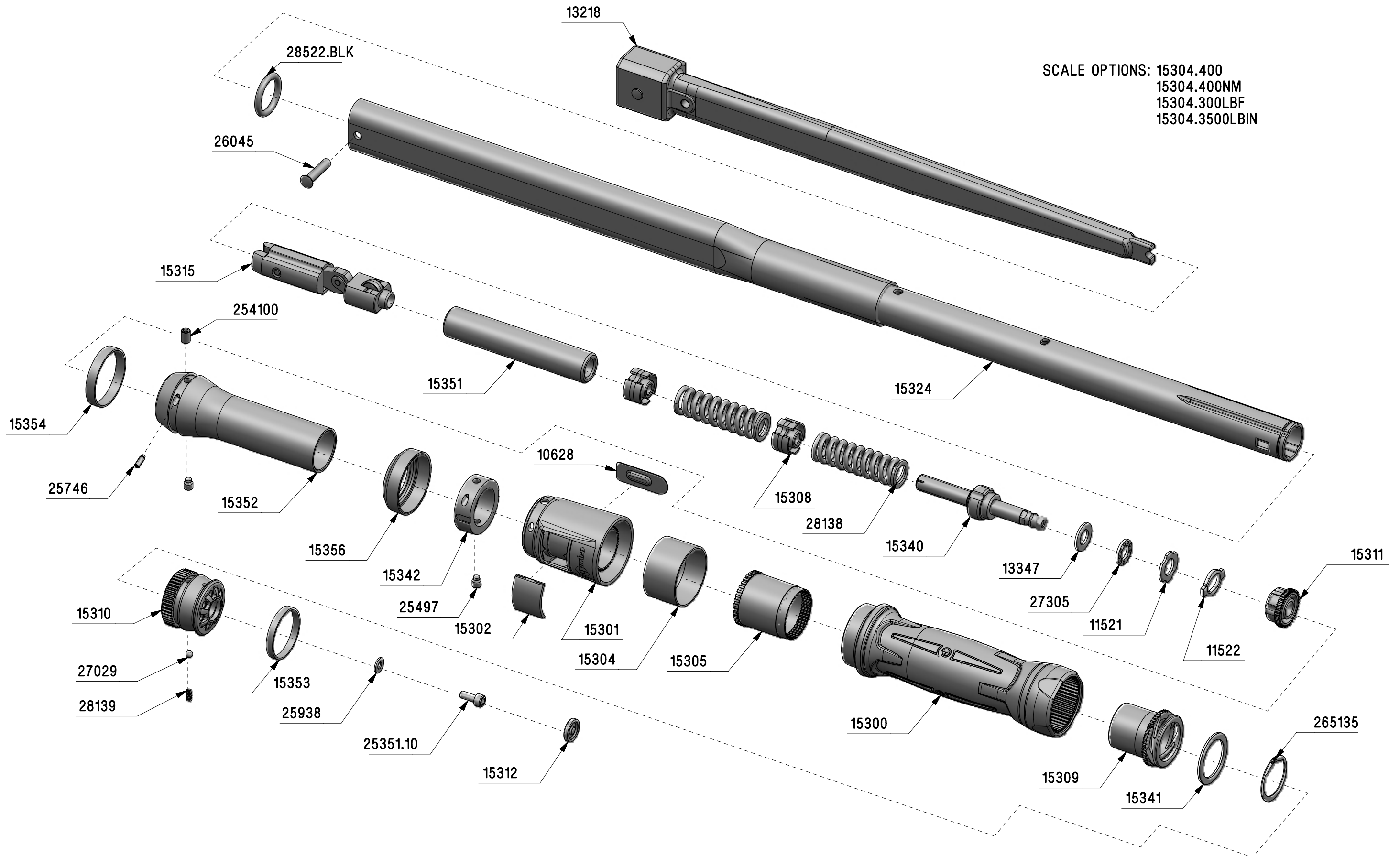


# MODEL 400 PROFESSIONAL 14x18 FEMALE END



# MODEL 400 PROFESSIONAL 14x18 FEMALE END

13218	1	MDL 400 14 X 18 LEVER
27029	1	3.8 MM STEEL BALL
28139	1	SPRG/COMP PROFESSIONAL LOCKING KNOB
25746	1	M3 DOG POINT GRUB SCREW T6 TORX DRIVEN
254100	1	SCR SKT GRUB M5 x 8 LONG OVAL
25938	1	WASHER M4 STD. FLAT TO DIN125/ISO7089
25351.10	1	SHCS M4 x 10 - 12.9 TO ISO 4762
15342	1	THRUST WASHER SIDE LOCKING
25497	2	SSS M5X5LG DOG POINT -12.9 TO ISO4028
15301	1	SCALE MECHANISM COVER
15305	1	SCALE ROTATING GEAR
15300	1	TWO SHOT HANDLE
15309	1	CLEARANCE REMOVAL SHAFT
15341	1	PUSH PLATE
265135	1	CIRCLIP HANDLE RETENTION PROFESSIONAL
11522	1	END STOP
15310	1	LOCKING KNOB
15311	1	STATIONARY LOCKING GEAR
11521	1	SHAPED WASHER
27305	1	SPECIAL THRUST BEARING FOR TORQUE WRENCHES
13347	1	TRUTORQUE HARDENED WASHER
15340	1	ADJUSTING SCREW ASSEMBLY NEW PROFESSIONAL
28138	2	MAIN COMPRESSION MODEL 400 SPRING NEW PROFESSIONAL
28522.BLK	1	O RING 18.5 I/D X 3.5 SEC
15304	1	SCALE DISPLAY SLEEVE
15315	1	SECONDARY MOTION ASSEMBLY
15302	1	SCALE LENS
10628	1	TIMESTRIP LABEL 12 X 33
15312	1	END CAP
15353	1	NOTIFICATION BAND
15324	1	MDL 400 BODY TUBE ASSEMBLY
26045	1	PIN PIVOT MDL400
15351	1	SPRING SPACER
15308	2	SPRING CONNECTING PLATE
15352	1	MODEL 400 CALIBRATION SCREW HOUSING
15356	1	MDL400 SCALE MECH COVER CAP
15354	1	MDL400 CALIBRATION HOLE COVER BAND
Part No	Qty	Description

