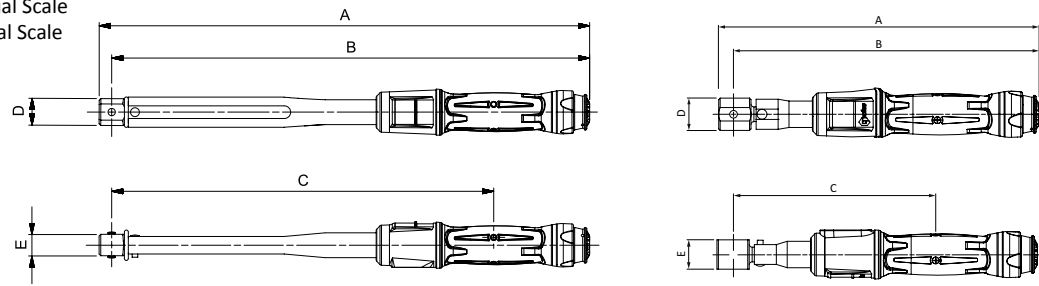


Female Torque Handles

Model	Pro 15 9 x 12	Pro 25 9 x 12	Pro 50 9 x 12	Pro 100 9 x 12	Pro 200 9 x 12	Pro 200 14 x 18	Pro 300 14 x 18	Pro 340 14 x 18	Pro 400 14 x 18	
Part Number	15100 ¹ 15110 ³ 15130 ⁴	15101 ¹ 15111 ³ 15131 ⁴	15102 ² 15112 ³ 15132 ⁵ 15122 ⁵	15103 ² 15113 ³ 15133 ⁴ 15123 ⁵	15104 ² 15114 ³ 15134 ⁴ 15124 ⁵	15105 ² 15115 ³ 15135 ⁴ 15125 ⁵	15106 ² 15116 ³ 15136 ⁴ 15126 ⁵	15107 ² 15117 ³ 15127 ⁵ 15137 ⁵	15108 ² 15118 ³ 15128 ⁵ 15138 ⁵	
Torque Range	N-m	3 - 15	5 - 25	10 - 50	20 - 100	40 - 200	40 - 200	60 - 300	60 - 340	80 - 400
	lbf-in	27 - 132	44 - 220	90 - 445	200 - 900	400 - 1800	400 - 1800	500 - 2500	500 - 3000	700 - 3500
	lbf-ft	N/A	N/A	7.5 - 37.5	15 - 75	30 - 150	30 - 150	44 - 222	44 - 250	60 - 300
Rectangular Drive (mm)	9 x 12	9 x 12	9 x 12	9 x 12	9 x 12	14 x 18	14 x 18	14 x 18	14 x 18	14 x 18
Dimensions (mm)	A	218	218	325	365	442	453	570	662	664
	B	204	204	314	354	431	440	557	649	649
	C	139	139	227	267	345	353	440	562	563
	D	22	22	22	22	25	34	34	34	32
	E	20	20	20	20	20	26	28	28	24
Weight (Kg)	0.26	0.26	0.64	0.71	0.91	0.95	1.17	1.27	1.69	

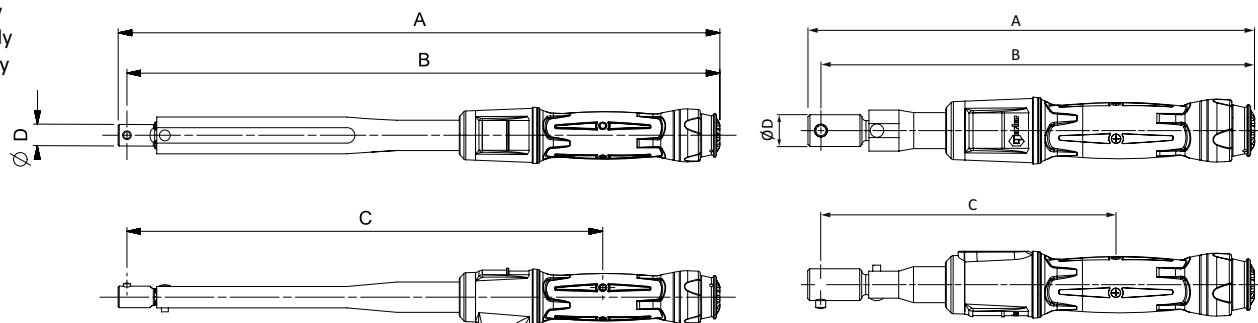
- ¹ N-m & lbf-in Dual Scale
- ² N-m & lbf-ft Dual Scale
- ³ N-m Only
- ⁴ lbf-in Only
- ⁵ lbf-ft Only



16 mm Spigot Torque Handles

Model	Pro 15	Pro 25	Pro 50	Pro 100	Pro 200	Pro 300	
Part Number	15060 ¹ 15070 ³ 15090 ⁴	15061 ¹ 15071 ³ 15091 ⁴	15062 ² 15072 ³ 15092 ⁴ 15082 ⁵	15063 ² 15073 ³ 15093 ⁴ 15083 ⁵	15064 ² 15074 ³ 15094 ⁴ 15084 ⁵	15065 ² 15075 ³ 15095 ⁴ 15085 ⁵	
Torque Range	N-m	3 - 15	5 - 25	10 - 50	20 - 100	40 - 200	60 - 300
	lbf-in	27 - 132	44 - 220	90 - 445	200 - 900	400 - 1800	500 - 2500
	lbf-ft	N/A	N/A	7.5 - 37.5	15 - 75	30 - 150	44 - 222
Dimensions (mm)	A	223	223	322	363	445	569
	B	216	216	316	356	438	563
	C	148	148	229	269	351	476
	ØD	16	16	16	16	16	16
Weight (Kg)	0.26	0.26	0.62	0.7	0.85	1.17	

- ¹ N-m & lbf-in Dual Scale
- ² N-m & lbf-ft Dual Scale
- ³ N-m Only
- ⁴ lbf-in Only
- ⁵ lbf-ft Only



GLOBAL SERVICE


Norbar is the only torque equipment manufacturer capable of offering tool and instrument calibration services to the original factory standard on four continents.

Accredited laboratories in Australia, USA, Singapore, China and India operate the same equipment and procedures as the UKAS accredited laboratory within our headquarters in the UK.

 NORBAR TORQUE TOOLS LTD
Wildmere Road, Banbury, Oxfordshire, OX16 3JU
UNITED KINGDOM
Tel + 44 (0)1295 753600
Email sales@norbar.com

 NORBAR TORQUE TOOLS
45-47 Raglan Avenue, Edwardstown
SA 5039
AUSTRALIA
Tel + 61 (0)8 8292 9777
Email enquiry@norbar.com.au

 NORBAR TORQUE TOOLS INC
36400 Biltmore Place, Willoughby
Ohio 44094
USA
Tel + 1 866 667 2272
Email inquiry@norbar.us

 NORBAR TORQUE TOOLS PTE LTD
194 Pandan Loop, #07-20 Pantech Business Hub
SINGAPORE 128383
Tel + 65 6841 1371
Email enquires@norbar.sg

 NORBAR TORQUE TOOLS (SHANGHAI) LTD
91 Building- 7F, No. 1122, North Qinzhou Road,
Xuhui District, Shanghai
CHINA 201103
Tel + 86 21 6145 0368
Email sales@norbar.com.cn

 NORBAR TORQUE TOOLS INDIA PVT. LTD
Plot No A - 168 Khairne Industrial Area
Thane Belapur Road
Mahape Navi Mumbai - 400 709
INDIA
Tel + 91 22 2778 8480
Email enquiry@norbar.in

www.norbar.com



NORBAR PRODUCT PORTFOLIO

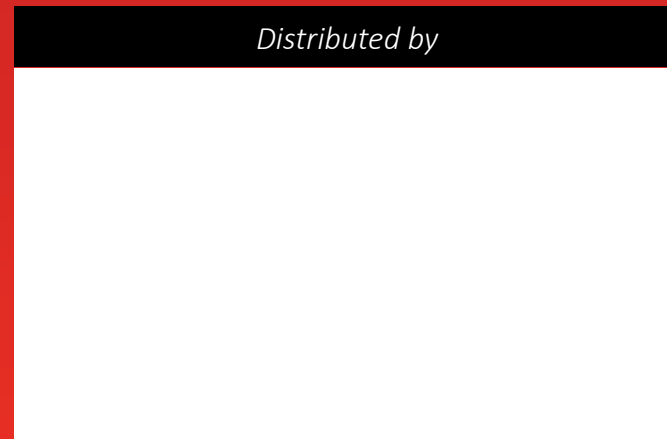
-  Torque Screwdrivers
-  Torque Wrenches
-  Electronic Torque Wrenches
-  Manual Torque Multipliers
-  Pneumatic Torque Tools
-  Electronic Torque Tools
-  Torque Measurement Instruments
-  Torque Transducers
-  Ultrasonic Bolt Measurement
-  Calibration Services

NOW INCLUDES
Models
15 & 25

PROFESSIONAL
TORQUE WRENCH
SETTING THE STANDARD FOR
ACCURACY AND EASE OF USE



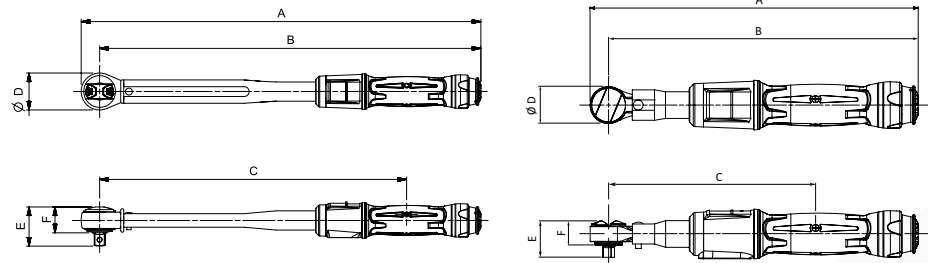
Distributed by



Automotive Ratchets

Model	Pro 15 ¼"	Pro 15 ¾"	Pro 25 ¼"	Pro 25 ¾"	Pro 50 ¼"	Pro 50 ½"	Pro 100 ¼"	Pro 100 ½"	Pro 200 ½"	
Part Number	15008 ¹ 15018 ³ 15028 ⁴	15009 ¹ 15019 ³ 15029 ⁴	15010 ¹ 15020 ³ 15030 ⁴	15011 ¹ 15021 ³ 15031 ⁴	15012 ² 15022 ³ 15032 ⁴ 15142 ⁵	15013 ² 15023 ³ 15033 ⁴ 15143 ⁵	15014 ² 15024 ³ 15034 ⁴ 15144 ⁵	15015 ² 15025 ³ 15035 ⁴ 15145 ⁵	15016 ² 15026 ³ 15036 ⁴ 15146 ⁵	
Torque Range	N-m	3- 15	3- 15	5- 25	5- 25	10- 50	10- 50	20- 100	20- 100	40- 200
	lbf-in	27- 132	27- 132	44- 220	44- 220	90- 445	90- 445	200- 900	200- 900	400- 1800
	lbf-ft	N/A	N/A	N/A	N/A	7.5- 37.5	7.5- 37.5	15- 75	15- 75	30- 150
Square Drive	¼"	¾"	¼"	¾"	¾"	½"	¾"	½"	½"	½"
Dimensions (mm)	A	221	221	221	221	327	327	367	367	465
	B	209	209	209	209	312	312	352	352	444
	C	140	140	140	140	226	226	266	266	358
	ØD	25	25	25	25	30	30	30	30	43
	E	25	25	25	25	33	38	33	38	46
	F	18	18	18	18	22	22	22	22	30
Weight (Kg)	0.26	0.26	0.26	0.26	0.69	0.69	0.76	0.76	1.04	

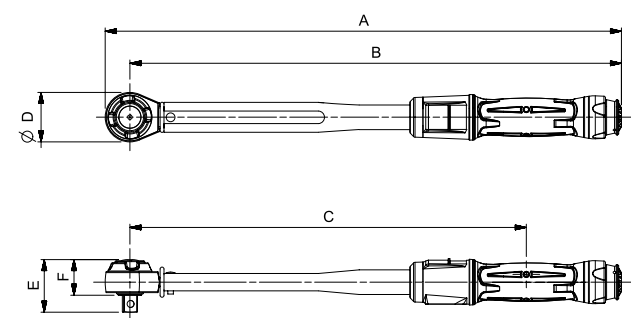
¹ N-m & lbf-in Dual Scale
² N-m & lbf-ft Dual Scale
³ N-m Only
⁴ lbf-in Only
⁵ lbf-ft Only



Industrial Ratchets

Model	Pro 50 ¾"	Pro 100 ½"	Pro 200 ½"	Pro 300 ½"	Pro 340 ½"	Pro 400 ¾"
Part Number	15002 ¹ 15042 ² 15052 ³ 15172 ⁴	15003 ¹ 15043 ² 15053 ³ 15173 ⁴	15004 ¹ 15044 ² 15054 ³ 15174 ⁴	15005 ¹ 15045 ² 15055 ³ 15175 ⁴	15006 ¹ 15046 ² 15056 ³ 15176 ⁴	15007 ¹ 15047 ² 15057 ³ 15177 ⁴
Torque Range	N-m	10 - 50	20 - 100	40 - 200	60 - 300	80 - 400
	lbf-in	90 - 445	200 - 900	400 - 1800	500 - 2500	700 - 3500
	lbf-ft	7.5 - 37.5	15 - 75	30 - 150	44 - 222	60 - 300
Square Drive	¾"	½"	½"	½"	½"	¾"
Dimensions (mm)	A	335	387	470	593	685
	B	317	364	447	567	659
	C	231	278	361	480	572
	ØD	35	45	45	52	52
	E	37	48	48	48	48
	F	26	32	32	33	33
Weight (Kg)	0.7	0.94	1.07	1.42	1.48	1.93

¹ N-m & lbf-ft Dual Scale
² N-m Only
³ lbf-in Only
⁴ lbf-ft Only



THE NORBAR PROFESSIONAL TORQUE WRENCH RE-ENGINEERED TO BE **EVEN MORE ACCURATE, DURABLE AND EASY TO USE**

Since its original, award winning launch in 1984 and extensive face-lift in 2000, Norbar's Professional Torque Wrench range is one of the most popular wrench ranges available worldwide. In this re-engineered version, the core principles of accuracy, durability and comfort are carried over but every component part is new and improved.



SQUARE DRIVE ADAPTORS
 ¾" to ½" adaptor included with industrial ratchet 50 N-m wrench and ½" to ¾" adaptor included with industrial ratchet 100 N-m wrench



FAST ADJUSTMENT
 Reducing the effort required to adjust. If you adjust your wrench more regularly, you can do more work

MUSHROOM SQUARE DRIVE
 'Industrial Ratchet' versions have a 'mushroom square drive' to allow more rapid bolt run-down



PUSH/PULL LOCK
 The push/pull type lock is fast and intuitive to use. A coloured band on the lock clearly shows that the wrench is unlocked



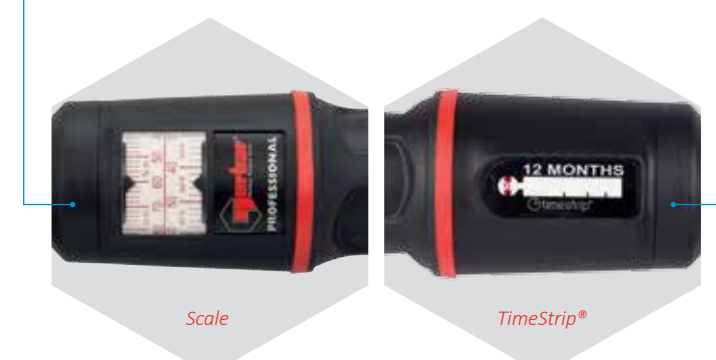
HIGH STRENGTH RATCHET
 The 200 N-m 'Automotive Ratchet' version is fitted with a new, high strength 48 tooth reversible ratchet



LARGE SCALE
 For better visibility and more accurate setting

***TIMESTRIP®**
 Unique feature TimeStrip® provides visual indication of when the wrench needs re-calibration

ERGONOMIC HANDLE
 The handle has a superior, ergonomic shape and has a higher proportion of soft-feel, high grip material. Making it comfortable to use



KEY FEATURES

COMPARED WITH OTHER TORQUE WRENCHES:
 Norbar's 'harmonic drive' scale provides a long scale length for good resolution and accurate setting in both scale units. By contrast, micrometer type scales allow accurate setting in the primary scale unit but relatively poor accuracy of setting in the secondary units because of limited resolution. When this is coupled with Norbar's 60% increased scale size, the Professional wrench is amongst the easiest wrenches on the market to accurately set.

*TimeStrip® is a registered trademark of TimeStrip UK Ltd