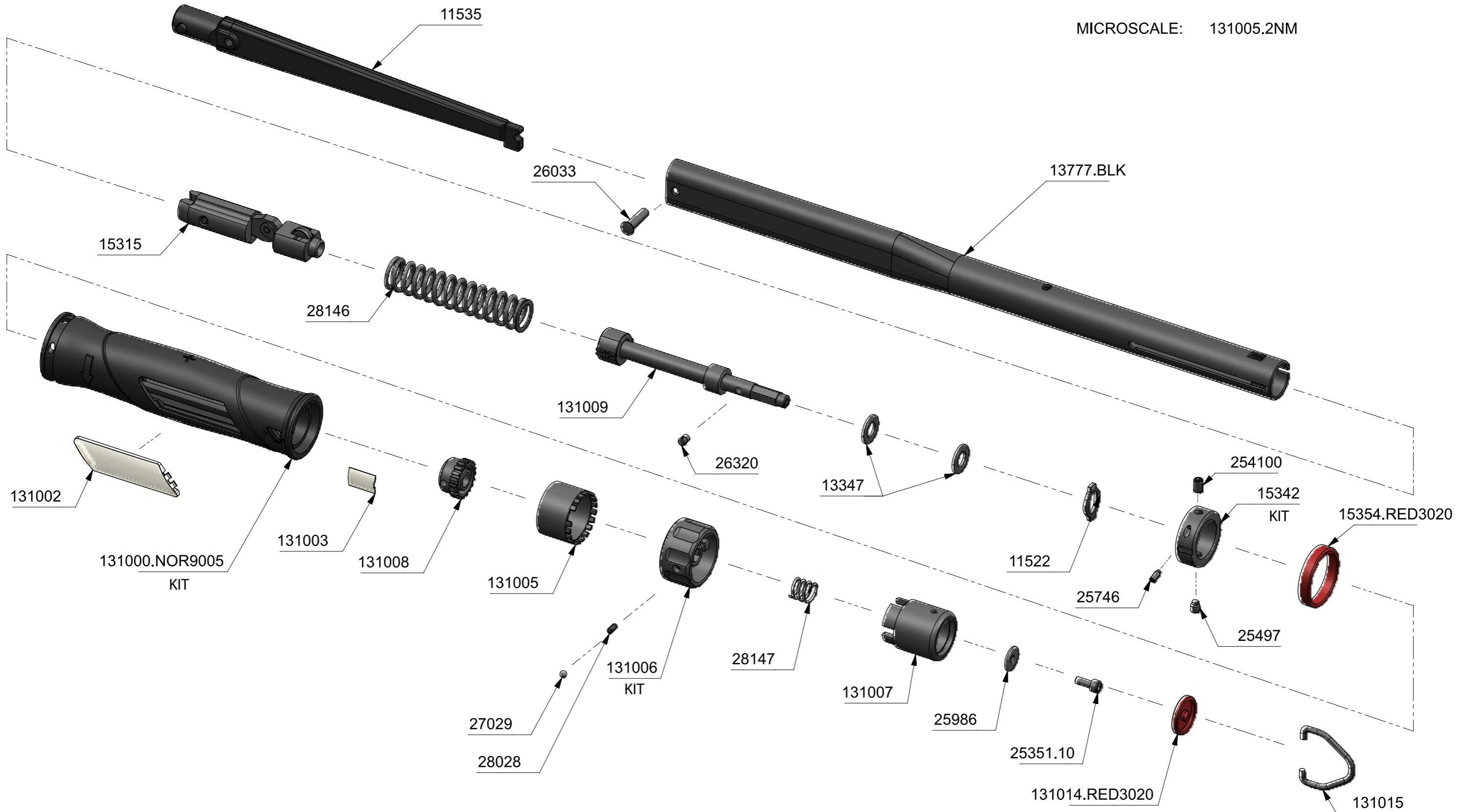


SCALE OPTIONS: 131002.200 NLF

MICROSCALE: 131005.2NM



130143 - NORTORQUE MDL 200 16mm SPIGOT N.m/lbf.ft



| | | |
|----------------|-----|--|
| 13777.BLK | 1 | NORTORQUE MODEL 200 BODY TUBE - BLACK METALLIC |
| 11535 | 1 | LVR ARM 200 T/H |
| 26033 | 1 | PIVOT PIN TES 3487 |
| 15315 | 1 | SECONDARY MOTION ASSEMBLY |
| 28146 | 1 | MAIN COMPRESSION SPRING NORTORQUE |
| 131009 | 1 | NORTORQUE/SLIMLINE ADJUSTING SCREW ASSEMBLY - MDL 60, 100, 200 |
| 13347 | 2 | TRUTORQUE HARDENED WASHER |
| 11522 | 1 | END STOP |
| 15342 | 1 | THRUST WASHER SIDE LOCKING |
| 15354.RED3020 | 1 | NORTORQUE CALIBRATION HOLE COVER BAND RED RAL3020 |
| 131002 | 1 | MAIN SCALE LENS |
| 131008 | 1 | STATIONARY GEAR |
| 131003 | 1 | NORTORQUE MICRO SCALE LENS |
| 131005 | 1 | MICRO GEAR |
| 28028 | 1 | SPRG/COMP 3DIAx6.35x0.5WD |
| 27029 | 1 | 3.8 MM STEEL BALL |
| 131007 | 1 | PUSH PULL LOCKING KNOB |
| 131006 | 1 | ADJUSTING KNOB |
| 28147 | 1 | NORTORQUE CLEARANCE REMOVAL SPRING |
| 25986 | 1 | WASHER M4X14X0.8 TYPE L ZINC PLATED |
| 25351.10 | 1 | SHCS M4 x 10 - 12.9 TO ISO 4762 |
| 131014.RED3020 | 1 | NORTORQUE/SLIMLINE TW LOCKING KNOB END BUNG - RED RAL 3020 |
| 131015 | 1 | NORTORQUE/SLIMLINE ADJUSTING KNOB HANGER |
| 254100 | 1 | SCR SKT GRUB M5 x 8 LONG OVAL |
| 25746 | 1 | M3 DOG POINT GRUB SCREW T6 TORX DRIVEN |
| 25497 | 1 | SSS M5X5LG DOG POINT -12.9 TO ISO4028 |
| 26320 | 1 | PIN HALF GROOVED 4MM DIA X 6 LG MILD STEEL |
| 131000.NOR9005 | 1 | NORTORQUE HANDLE - NORBAR BLACK RAL9005 |
| Part No | Qty | Description |