

Impermeability special Manometer for gas network MP 130

KEY POINTS

- Easy to use
- Adjustable backlight
- Hold-min-max functions
- Selection of units

TECHNICAL FEATURES

Measuring range	Sensor piezoresistive
Tolerated overpressure	700 mbar
Connector	Ø 4,6 mm threaded connectors made of nickelled brass
Display	4 lines, LCD technology. Sizes 50 x 36 mm 2 lines of 5 digits with 7 segments (value) 2 lines of 5 digits with 16 segments (unit)
Housing	ABS, protection IP54
Keypad	5 keys
Conformity	Directives CEM 2004/108/CE and NF EN 61010-1
Power supply	4 batteries AAA LR03 1.5 V
Battery life	180 hours
Ambience	Neutral gas
Operating temperature	From 0 to +50 °C
Storage temperature	From -20 to +80 °C
Auto shut-off	Adjustable from 0 à 120 min
Weight	220 g



SPECIFICATIONS

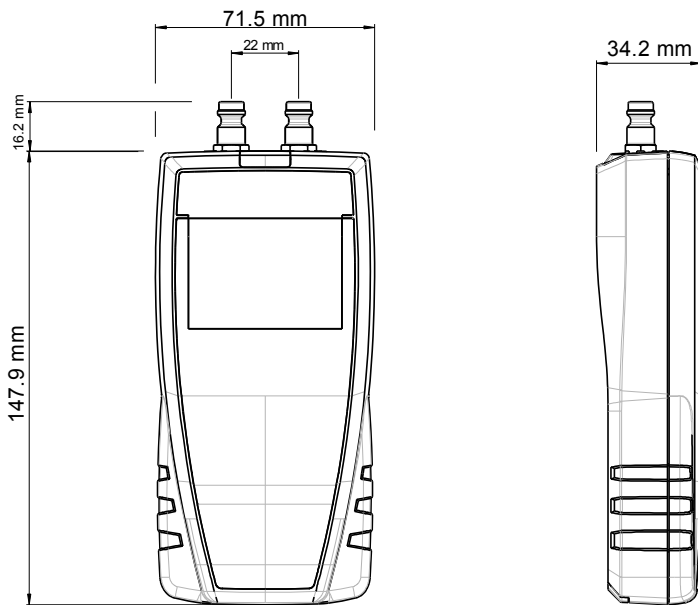
Measuring units	Measuring range	Accuracy ¹	Resolution
Kpa, inWg, mbar, mmHg, daPa	From -200 to +200 mbar	From 0 to 20 mbar : ±0,4% of full scale ±0,01mbar From 20 to 200 mbar : ±0,3% of full scale ±0,1mbar	From 0 to 20 mbar : 0,01 mbar From 20 to 200 mbar : 0,1 mbar

¹All the accuracies indicated in this technical datasheet were stated in laboratory conditions, and can be guaranteed for measurements carried out in the same conditions, or carried out with calibration compensation

FUNCTIONS

- Pressure measurement
- Selection of units
- Manual self-calibration
- Hold function
- Display of minimum and maximum values
- Configurable auto shut-off
- Backlight

DIMENSIONS



SUPPLIED WITH

Instruments are supplied with :

- Magnetic protective housing
- Calibration certificate
- Seal Kit
- Transport case



MAINTENANCE

We carry out calibration, adjustment and maintenance of your instruments to guarantee a constant level of quality of your measurements. As part of Quality Assurance Standards, we recommend you to carry out a yearly checking.

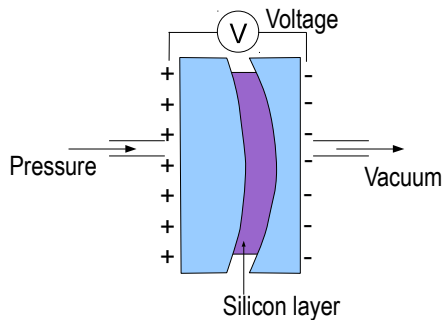
GUARANTEE

Instruments have 1-year guarantee for any manufacturing defect (return to our After-Sales Service required for appraisal).

OPERATING PRINCIPLES

Piezoresistive sensor

The pressure deforms the silicon layer. This layer deformation generates a voltage at its terminations. This voltage is proportional to the pressure applied.



SEAL KIT INCLUDES

Connectors		Plugs	
Stainless steel male connector, 9 mm diameter	Stainless steel female connector, 9 mm diameter	Plug : outside diameter : 22-44 mm 9 mm male connector	Plug : outside diameter: 18-32 mm 9 mm male connector
Tap with 2 valves and 3 channels	Pressurization pump	Connections	
	Rubber pump		
		10-32	6-20
		Male bottle	M20x1.5
		1/2G	Fast connector

www.kimo.fr

Distributed by :



EXPORT DEPARTMENT

Tel : + 33. 1. 60. 06. 69. 25 - Fax : + 33. 1. 60. 06. 69. 29

e-mail : export@kimo.fr