

## Hotwire thermo-anemometer VT 110 – VT 115

### KEY POINTS

- Easy to use
- Adjustable backlight
- Automatic average
- Hold-min-max functions
- Selection of units
- Debit calculation

### TECHNICALS FEATURES

<b>Measuring element</b>	<b>Hotwire air velocity</b> : thermistance with a negative temperature coefficient. <b>Ambient temperature</b> : NTC sensor
<b>Display</b>	4 lines, LCD technology. Sizes 50 x 36 mm. 2 lines of 5 digits with 7 segments (value) 2 lines de 5 digits with 16 segments (unit)
<b>Probes</b>	<b>VT 110</b> : Stainless hotwire probe <b>VT 115</b> : Telescopic hotwire probe bent at 90°
<b>Cable</b>	Straight, length : 2 m
<b>Housing</b>	ABS, protection IP54
<b>Keypad</b>	5 keys
<b>Conformity</b>	Directives CEM 2004/108/CE and NF EN 61010-1
<b>Power supply</b>	4 batteries AAA LR03 1.5 V
<b>Battery life</b>	180 hours
<b>Ambience</b>	Neutral gas
<b>Operating temperature (instrument)</b>	From 0 to +50 °C
<b>Operating temperature (probe)</b>	From 0 to +50 °C
<b>Storage temperature</b>	From -20 to +80 °C
<b>Auto shut-off</b>	Adjustable from 0 to 120 min
<b>Weight</b>	250 g

### SPECIFICATIONS

Measuring units	Measuring range	Accuracy <sup>1</sup>	Resolution
<b>Velocity (hotwire)</b>			
m/s, fpm, km/h	From 0.15 to 30 m/s	From 0.15 to 3 m/s : $\pm 3\%$ of reading $\pm 0.05$ m/s	0.01 m/s
		From 3.1 to 30 m/s : $\pm 3\%$ of reading $\pm 0.2$ m/s	0.1 m/s
<b>Airflow</b>			
m <sup>3</sup> /h, cfm, l/s, m <sup>3</sup> /s	From 0 to 99 999 m <sup>3</sup> /h	$\pm 3\%$ of reading $\pm 0.03 \times \text{area}$ (cm <sup>2</sup> )	1 m <sup>3</sup> /h
<b>Temperature</b>			
°C, °F	From -20 to +80 °C	$\pm 0.3\%$ of reading $\pm 0.25$ °C	0.1 °C

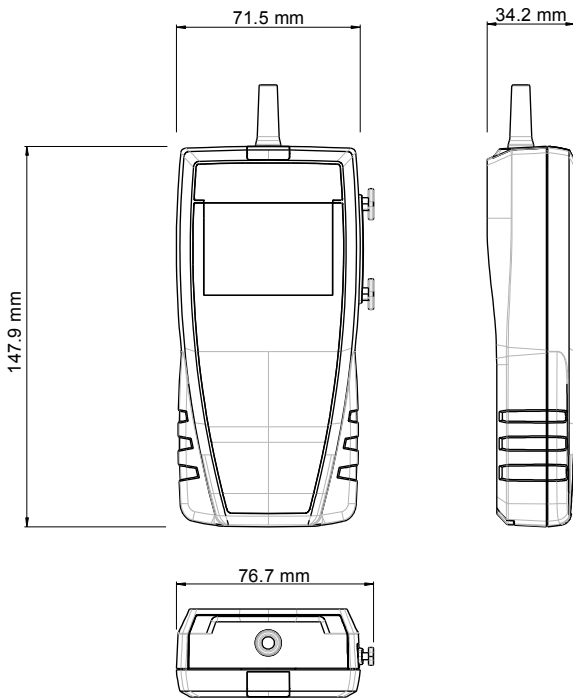


### FUNCTIONS

- Airflow calculation
- Airflow calculation with cone
- Selection of units (air velocity, airflow and temperature)
- Hold function
- Display of minimum and maximum values
- Adjustable auto shut-off
- Backlight
- Airflow detection
- Selection of cone
- Dimensions of rectangular and circular duct
- Automatic average
- Air velocity compensation in atmospheric pressure

<sup>1</sup>Établies dans des conditions de laboratoire, les exactitudes présentées dans ce document seront maintenues sous réserve d'appliquer les compensations nécessaires ou de se ramener à des conditions identiques.

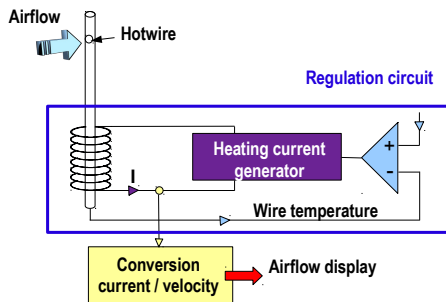
## DIMENSIONS



## OPERATING PRINCIPLES

### Hotwire anemometer

A wire is continuously heated at a superior temperature than ambient and continuously cooled by airflow. Constant temperature is maintained by a regulation circuit. The heating current is proportional to the airflow velocity.



### Thermometer : CTN probe

Probes with a negative temperature coefficient are thermistors with a resistance that decreases with the temperature, according to the equation below:

$$R_{(T)} = R_{(T_0)} e^{\left( \frac{\alpha}{100} \times (T_0 + 273.15)^2 \times \left( \frac{1}{T + 273.5} - \frac{1}{T_0 + 273.5} \right) \right)}$$

$R_T$  = resistance sensor value at temperature T

$R(T_0)$  = valeur de la résistance du capteur de température at reference  $T_0$

T and  $T_0$  in °C

$\alpha$  and  $T_0$  sensor specific constants

## SUPPLIED WITH

Instruments are supplied with :

- VT 110 : Straight hotwire probe
- VT 115 : Telescopic hotwire probe bent at 90°
- Calibration certificate
- Transport case (ref : ST 110)



## ACCESSORIES

**CQ 15** : Magnetic protective housing



**K 35 - 75 - 120 - 150** : Airflow cone



**MT 51** : ABS transport case



## MAINTENANCE

We carry out calibration, adjustment and maintenance of your instruments to guarantee a constant level of quality of your measurements. As part of Quality Assurance Standards, we recommend you to carry out a yearly checking.

## GUARANTEE

Instruments have 1-year guarantee for any manufacturing defect (return to our After-Sales Service required for appraisal).

[www.kimo.fr](http://www.kimo.fr)

Distributed by :



**EXPORT DEPARTMENT**

Tel : + 33. 1. 60. 06. 69. 25 - Fax : + 33. 1. 60. 06. 69. 29

e-mail : [export@kimo.fr](mailto:export@kimo.fr)