



**KERN & Sohn GmbH**

Ziegelei 1  
D-72336 Balingen  
email: [info@kern-sohn.com](mailto:info@kern-sohn.com)

Phone: +49-[0]7433- 9933-0  
Fax: +49-[0]7433-9933-149  
Internet: [www.kern-sohn.com](http://www.kern-sohn.com)

# Operating Manual

## Analytical and precision balances

### KERN ALJ/ALS/PLJ/PLS

Version 3.7  
03/2013  
GB



ALJ/ALS/PLJ/PLS-BA-e-1337



# KERN ALJ/ALS/PLJ/PLS

Version 3.7 03/2013

## Operating Manual

### Analytical and precision balances

#### Table of Contents

<b>1</b>	<b>Technical Data .....</b>	<b>4</b>
<b>2</b>	<b>Explanation of graphical symbols.....</b>	<b>14</b>
<b>3</b>	<b>Basic Information (General).....</b>	<b>14</b>
3.1	Proper use .....	14
3.2	Improper Use.....	14
3.3	Warranty.....	14
3.4	Monitoring of Test Resources .....	14
<b>4</b>	<b>Basic Safety Precautions .....</b>	<b>15</b>
4.1	Pay attention to the instructions in the Operation Manual .....	15
4.2	Personnel training.....	15
<b>5</b>	<b>Transportation &amp; Storage.....</b>	<b>15</b>
5.1	Testing upon acceptance .....	15
5.2	Packaging / return transport.....	16
<b>6</b>	<b>Unpacking, Setup and Commissioning .....</b>	<b>18</b>
6.1	Installation Site, Location of Use .....	18
6.2	Unpacking / placing .....	18
6.2.1	Placing.....	19
6.2.2	Scope of delivery / serial accessories .....	21
6.3	Appliance overview.....	21
6.3.1	Front side of the balance.....	21
6.3.2	Back and bottom side of the balance .....	22
6.4	Controls .....	23
6.4.1	Overview of display .....	23
6.4.2	Keyboard overview .....	23
6.5	Connect and switch-on power supply.....	24
6.6	Rechargeable battery operation (depends on model, see chp.1) .....	24
6.7	Connection of peripheral devices.....	25
6.8	Initial Commissioning.....	25
6.8.1	Stability display.....	25
6.8.2	Balance zero display .....	25
<b>7</b>	<b>Adjustment .....</b>	<b>25</b>
7.1	Models with external weight (KERN ALS/PLS).....	26
7.1.1	Adjustment with recommended adjustment weight (factory setting) .....	26
7.1.2	Adjustment with weights of other nominal values .....	27
7.2	Models with internal weight (KERN ALJ/PLJ).....	29
7.2.1	Adjustment models PLJ-M .....	30
7.2.2	Overwrite internal adjustment weight .....	31
7.3	Verification.....	32
<b>8</b>	<b>Basic Operation .....</b>	<b>33</b>
8.1	Underfloor weighing.....	34

<b>9</b>	<b>User menu .....</b>	<b>35</b>
9.1	Weighing unit .....	40
9.2	Data output type .....	41
9.3	Baud rate .....	42
9.4	Auto Zero .....	43
9.5	Filter .....	45
9.6	Standstill control display .....	46
9.7	Setting the contrast of the display .....	47
9.8	Display background illumination .....	48
9.9	Automatic switch-off function „AUTO OFF“ in stand-by mode .....	49
<b>10</b>	<b>User menu .....</b>	<b>50</b>
10.1	Parts counting .....	51
10.1.1	Switching over between quantity and weight display .....	53
10.1.2	Automatic reference optimization .....	53
10.1.3	Numeric entering of the reference weight .....	54
10.2	Density determination (Hydrostatic weighing) .....	55
10.2.1	Density determination of solids .....	55
10.2.2	Determining density of liquids .....	57
10.3	Adding function .....	59
10.4	Checkweighing .....	61
10.5	Percent determination .....	63
10.5.1	Entering the reference weight by weighing .....	63
10.5.2	Numeric entering of the reference weight .....	64
10.6	Animal weighing function .....	65
10.7	Peak value function .....	66
<b>11</b>	<b>Data output RS 232C .....</b>	<b>67</b>
11.1	Technical Data .....	67
11.2	Pin allocation of balance output plug .....	67
11.3	Interface .....	68
11.4	Data transfer .....	68
11.5	Format for data transmission .....	69
11.6	Remote control instructions .....	71
11.7	Printer mode .....	71
<b>12</b>	<b>Error messages .....</b>	<b>73</b>
<b>13</b>	<b>Service, maintenance, disposal .....</b>	<b>73</b>
13.1	Cleaning .....	73
13.2	Service, maintenance .....	73
13.3	Disposal .....	73
<b>14</b>	<b>Instant help .....</b>	<b>74</b>
<b>15</b>	<b>Declaration of Conformity .....</b>	<b>75</b>

# 1 Technical Data

KERN	ALJ 160-4A	ALJ 250-4A	ALJ 310-4A
Weighing range (max)	160 g	250 g	310 g
Readability (d)	0.1 mg	0.1 mg	0.1 mg
Reproducibility	0.1 mg	0.1 mg	0.1 mg
Linearity	± 0.3 mg	± 0.3 mg	± 0.3 mg
Stabilization time (typical)	4 sec.	4 sec.	4 sec.
Minimum unit weight at piece counting	> 0.5 mg	> 0.5 mg	> 0.5 mg
Warm-up time	8 hours		
Adjustment weight	internal		
Reference quantities at piece counting	10, 25, 50, 100 freely selectable		
Weighing Units	ct, g, gn, lb, mo, oz, ozt, tl (HK), tl (Singap. Malays), tl (Tw), pen		
Electric Supply	24 V AC, 500mA		
Operating temperature	+ 5° C .... + 35° C		
Humidity of air	max. 80 % (not condensing)		
Housing (B x D x H) mm	210 x 340 x 330		
Dimensions of windshield (B x D x H) mm	160 x 140 x 205 (inside) 190 x 195 x 225 (outside)		
Weighing plate (stainless steel)	Ø 80 mm		
Weight kg (net)	6.5 kg		
Interface	RS 232C		

<b>KERN</b>	<b>ALS 160-4A</b>	<b>ALS 250-4A</b>
Weighing range (max)	160 g	250 g
Readability (d)	0.1 mg	0.1 mg
Reproducibility	0.1 mg	0.1 mg
Linearity	± 0.3 mg	± 0.3 mg
Stabilization time (typical)	4 sec.	4 sec.
Minimum unit weight at piece counting	> 0.5 mg	> 0.5 mg
Warm-up time	8 hours	
Recommended adjustment weight, not added (class)	150 g (E2)	200 g (E2)
Reference quantities at piece counting	10, 25, 50, 100 freely selectable	
Weighing Units	ct, g, gn, lb, mo, oz, ozt, tl (HK), tl (Singap. Malays), tl (Tw), pen	
Electric Supply	24 V AC, 500 mA	
Operating temperature	+ 5° C .... + 35° C	
Humidity of air	max. 80 % (not condensing)	
Housing (B x D x H) mm	210 x 340 x 330	
Dimensions of windshield (B x D x H) mm	160 x 140 x 205 (inside) 190 x 195 x 225 (outside)	
Weighing plate (stainless steel)	Ø 80 mm	
Weight kg (net)	5.7 kg	
Interface	RS 232C	

<b>KERN</b>	<b>PLJ 310-3F</b>	<b>PLJ 420-3F</b>	<b>PLJ 720-3A</b>
Weighing range (max)	310 g	420 g	720 g
Readability (d)	0.001 g	0.001 g	0.001 g
Reproducibility	0.001 g	0.001 g	0.001 g
Linearity	± 0.003 g	± 0.003 g	± 0.002 g
Stabilization time (typical)	3 sec.	2 sec.	2 sec.
Minimum unit weight at piece counting	> 5 mg	> 5 mg	> 5 mg
Warm-up time	2 hours	4 hours	4 hours
Adjustment weight	internal		
Reference quantities at piece counting	10, 25, 50, 100 freely selectable		
Weighing Units	ct, g, gn, lb, mo, oz, ozt, tl (HK), tl (Singap. Malays), tl (Tw), pen		
Electric Supply	230V/50 Hz (Euro) 9V DC	230V/50 Hz (Euro) 9V DC	230V/50 Hz (Euro) 24V AC
Operating temperature	+ 5° C / + 35° C		
Humidity of air	max. 80 % (not condensing)		
Underfloor weighing	-	-	Clevis type eyelet, standard
Housing (B x D x H) mm	210 x 340 x 160		
Windshield mm inside Ø 150, 60 high outside Ø 160, 70 high	yes	yes	yes
Weighing plate (stainless steel)	Ø 11 cm	Ø 11 cm	Ø 11 cm
Weight kg (net)	4 kg		4.5 kg
Interface	RS 232C		

<b>KERN</b>	<b>PLJ 1200-3A</b>	<b>PLJ 1200-3DA</b>	<b>PLJ 3100-2F</b>
Weighing range (max)	1200 g	720 g/1200 g	3100 g
Readability (d)	0.001 g	0.001 g/0.01 g	0.01 g
Reproducibility	0.001 g	0.001 g/0,01 g	0.01 g
Linearity	± 0.003 g	± 0.003 g/0.03 g	± 0.03 g
Stabilization time (typical)	2 sec.	2 sec.	2 sec.
Minimum unit weight at piece counting	> 5 mg	> 5 mg	> 50 mg
Warm-up time	8 hours	4 hours	4 hours
Adjustment weight	internal		
Reference quantities at piece counting	10, 25, 50, 100 freely selectable		
Weighing Units	ct, g, gn, lb, mo, oz, ozt, tl (HK), tl (Singap. Malays), tl (Tw), pen		
Electric Supply	230V/50 Hz (Euro)24 V AC		230V/50 Hz (Euro)9 V DC
Operating temperature	+ 5° C .... + 35° C		
Humidity of air	max. 80 % (not condensing)		
Underfloor weighing	Clevis type eyelet, standard	Clevis type eyelet, standard	-
Housing (B x D x H) mm	210 x 340 x 160		
Windshield mm inside Ø 150, 60 high outside Ø 160, 70 high	yes	yes	no
Weighing plate (stainless steel)	Ø 11 cm	Ø 11 cm	Ø 16 cm
Weight kg (net)	4.5 kg		
Interface	RS 232C		

<b>KERN</b>	<b>PLJ 4200-2F</b>	<b>PLJ 6200-2A</b>	<b>PLJ 6200-2DA</b>
Weighing range (max)	4200 g	6200 g	4200 g /6200 g
Readability (d)	0.01 g	0.01 g	0.01 g /0.1 g
Reproducibility	0.02 g	0.01 g	0.01 g /0.1 g
Linearity	± 0.04 g	± 0.03 g	± 0.03 g / 0.3 g
Stabilization time (typical)	2 sec.	2 sec.	2 sec.
Minimum unit weight at piece counting	> 50 mg	> 50 mg	> 50 mg
Warm-up time	4 hours		
Adjustment weight	internal		
Reference quantities at piece counting	10, 25, 50, 100, freely selectable		
Weighing Units	ct, g, gn, lb, mo, oz, ozt, tl (HK), tl (Singap. Malays), tl (Tw), pen		
Electric Supply	230V/50 Hz (Euro)9V DC	230V/50 Hz (Euro)24V AC	
Operating temperature	+ 5° C .... + 35° C		
Humidity of air	max. 80 % (not condensing)		
Underfloor weighing	-	Clevis type eyelet, standard	Clevis type eyelet, standard
Housing (B x D x H) mm	210 x 340 x 100	210 x 340 x 100	210 x 340 x 100
Windshield mm inside Ø 150, 60 high outside Ø 160, 70 high	no	no	no
Weighing plate (stainless steel)	Ø 16 cm	Ø 16 cm	Ø 16 cm
Weight kg (net)	4.5 kg	5 kg	5.0 kg
Interface	RS 232C		



<b>KERN</b>	<b>PLJ 720-3AM</b>	<b>PLJ 6200-2AM</b>
Weighing range (max)	720 g	6200 g
Readability (d)	0.001 g	0.01 g
Reproducibility	0.001 g	0.01 g
Linearity	± 0.002 g	± 0.02 g
Verification value (e)	10 mg	100 mg
Verification class	II	II
Minimum load (Min)	20 mg	50 mg
Stabilization time (typical)	2 sec.	2 sec.
Minimum unit weight at piece counting	> 50 mg	> 50 mg
Warm-up time	4 hours	
Adjustment weight	internal	
Reference quantities at piece counting	10, 25, 50, 100, freely selectable	
Weighing Units	ct, g	
Electric Supply	220V – 240 V AC, 50 Hz	
Operating temperature	+ 5° C .... + 35° C	
Humidity of air	max. 80 % (not condensing)	
Underfloor weighing	Clevis type eyelet, standard	
Housing (B x D x H) mm	210 x 340 x 100	
Windshield mm inside Ø 150, 60 high outside Ø 160, 70 high	yes	
Weighing plate (stainless steel)	Ø 11 cm	Ø 16 cm
Weight kg (net)	4.5 kg	
Interface	RS 232C	

<b>KERN</b>	<b>PLS 310-3F</b>	<b>PLS 420-3F</b>	<b>PLS 510-3A</b>
Weighing range (max)	310 g	420 g	510 g
Readability (d)	0.001 g	0.001 g	0.001 g
Reproducibility	0.002 g	0.002 g	0.001 g
Linearity	± 0.003 g	± 0.004 g	± 0.002 g
Stabilization time (typical)	3 sec.	3 sec.	2 sec.
Minimum unit weight at piece counting	> 5 mg	> 5 mg	> 5 mg
Warm-up time	2 hours	2 hours	4 hours
Recommended adjustment weight, not added (class)	300 g (E2)	400 g (E2)	500 g (E2)
Reference quantities at piece counting	10, 25, 50, 100, freely selectable		
Weighing Units	ct, g, gn, lb, mo, oz, ozt, tl (HK), tl (Singap. Malays), tl (Tw), pen		
Electric Supply	230V/50 Hz (Euro)9V DC		230V/50 Hz (Euro)24V AC
Operating temperature	Operation period 30 h Loading time 10 h		-
Operating temperature	+ 5° C .... + 35° C		
Humidity of air	max. 80 % (not condensing)		
Underfloor weighing	Clevis type eyelet, standard		
Housing (B x D x H) mm	210 x 340 x 160		
Windshield mm	inside Ø 150, 60 high ----- outside Ø 160, 70 high		
Weighing plate (stainless steel)	Ø 11 cm		
Weight kg (net)	4 kg		4.5 kg
Interface	RS 232C		

<b>KERN</b>	<b>PLS 720-3A</b>	<b>PLS 1200-3A</b>	<b>PLS 1200-3DA</b>
Weighing range (max)	720 g	1200 g	720 g /1,200 g
Readability (d)	0.001 g	0.001 g	0.001 g /0.01 g
Reproducibility	0.001 g	0.001 g	0.001 g /0.01 g
Linearity	± 0.002 g	± 0.003 g	± 0.002 g / 0.02 g
Stabilization time (typical)	2 sec.	2 sec.	2 sec.
Minimum unit weight at piece counting	> 5 mg	> 5 mg	> 5 mg
Warm-up time	4 hours	8 hours	4 hours
Recommended adjustment weight, not added (class)	600 g (E2)	1 kg (E2)	1 kg (E2)
Reference quantities at piece counting	10, 25, 50, 100, freely selectable		
Weighing Units	ct, g, gn, lb, mo, oz, ozt, tl (HK), tl (Singap. Malays), tl (Tw), pen		
Electric Supply	230V/50 Hz (Euro)24V AC		
Rechargeable battery	-	-	-
Operating temperature	+ 5° C .... + 35° C		
Humidity of air	max. 80 % (not condensing)		
Underfloor weighing	Clevis type eyelet, standard		
Housing (B x D x H) mm	210 x 340 x 160	210 x 340 x 160	210 x 340 x 160
Windshield mm inside Ø 150, 60 high outside Ø 160, 70 high	yes	yes	yes
Weighing plate (stainless steel)	Ø 11 cm	Ø 11 cm	Ø 11 cm
Weight kg (net)	4.5 kg	4.5 kg	4.5 kg
Interface	RS 232C		

<b>KERN</b>	<b>PLS 3100-2F</b>	<b>PLS 4200-2F</b>	<b>PLS 4200-2A</b>
Weighing range (max)	3100 g	4200 g	4200 g
Readability (d)	0.01 g	0.01 g	0.01 g
Reproducibility	0.02 g	0.02 g	0.01 g
Linearity	± 0.03 g	± 0.04 g	± 0.02 g
Stabilization time (typical)	3 sec.	3 sec.	2 sec.
Minimum unit weight at piece counting	> 50 mg	> 50 mg	> 50 mg
Warm-up time	2 hours	2 hours	4 hours
Recommended adjustment weight, not added (class)	3 kg (E2)	4 kg (E2)	4 kg (E2)
Reference quantities at piece counting	10, 25, 50, 100 freely selectable		
Weighing Units	ct, g, gn, lb, mo, oz, ozt, tl (HK), tl (Singap. Malays), tl (Tw), pen		
Electric Supply	230V/50 Hz (Euro)9V DC		230V/50 Hz (Euro)24V AC
Rechargeable battery	Operation period 30 h Loading time 10 h		no
Operating temperature	+ 5° C .... + 35° C		
Humidity of air	max. 80 % (not condensing)		
Underfloor weighing	Clevis type eyelet, standard		
Housing (B x D x H) mm	210 x 340 x 160	210 x 340 x 100	210 x 340 x 100
Windshield mm inside Ø 150, 60 high outside Ø 160, 70 high	no	no	no
Weighing plate (stainless steel)	Ø 16 cm	Ø 16 cm	Ø 16 cm
Weight kg (net)	4 kg	4 kg	4.5 kg
Interface	RS 232C		

<b>KERN</b>	<b>PLS 6200-2A</b>	<b>PLS 6200-2DA</b>	<b>PLS 20000-1F</b>
Weighing range (max)	6200 g	4200 g/6200 g	20 kg
Readability (d)	0.01 g	0.01 g/0.1 g	0.1 g
Reproducibility	0.01 g	0.01 g/0.1 g	0.1 g
Linearity	± 0.03 g	± 0.02 g / 0.2 g	± 0.4 g
Stabilization time (typical)	2 sec.	2 sec.	3 sec.
Minimum unit weight at piece counting	> 50 mg	> 50 mg	> 500 mg
Warm-up time	4 hours	2 hours	2 hours
Recommended adjustment weight, not added (class)	5 kg (E2)	5 kg (E2)	20 kg (E2)
Reference quantities at piece counting	10, 25, 50, 100, freely selectable		
Weighing Units	ct, g, gn, lb, mo, oz, ozt, tl (HK), tl (Singap. Malays), tl (Tw), pen		
Electric Supply	230V/50 Hz (Euro)24V AC		230V/50 Hz (Euro)9V DC
Operating temperature	+ 5° C .... + 35° C		
Humidity of air	max. 80 % (not condensing)		
Underfloor weighing	Clevis type eyelet, standard		
Housing (B x D x H) mm	210 x 340 x 100	210 x 340 x 100	210 x 340 x 100
Windshield mm	no	no	no
Weighing plate (stainless steel)	Ø 16 cm	Ø 16 cm	200 x 175 mm
Weight kg (net)	4.5 kg	4.5 kg	4 kg
Interface	RS 232C		

## 2 Explanation of graphical symbols



Note: follow the directions included in the attached document or Follow the Operating Instructions

## 3 Basic Information (General)

### 3.1 Proper use

The balance you purchased is intended to determine the weighing value of material to be weighed. It is intended to be used as a “non-automatic” balance, i.e. the material to be weighed is manually and carefully placed in the centre of the weighing plate. As soon as a stable weighing value is reached the weighing value can be read.

### 3.2 Improper Use

Do not use balance for dynamic weighing. In the event that small quantities are removed or added to the material to be weighed, incorrect weighing results can be displayed due to the “stability compensation” in the balance. (Example: Slowly draining fluids from a container on the balance.)

Do not leave permanent load on the weighing plate. This may damage the measuring system. Impacts and overloading exceeding the stated maximum load (max) of the balance, minus a possibly existing tare load, must be strictly avoided. Balance may be damage by this. Never operate balance in explosive environment. The serial version is not explosion protected.

The structure of the balance may not be modified. This may lead to incorrect weighing results, safety-related faults and destruction of the balance.

The balance may only be used according to the described conditions. Other areas of use must be released by KERN in writing.

### 3.3 Warranty

Warranty claims shall be voided in case

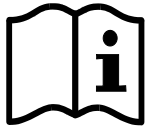
- Our conditions in the operation manual are ignored
- The appliance is used outside the described uses
- The appliance is modified or opened
- Mechanical damage or damage by media, liquids, natural wear and tear
- The appliance is improperly set up or incorrectly electrically connected
- The measuring system is overloaded

### 3.4 Monitoring of Test Resources

In the framework of quality assurance the measuring-related properties of the balance and, if applicable, the testing weight, must be checked regularly. The responsible user must define a suitable interval as well as type and scope of this test. Information is available on KERN's home page ([www.kern-sohn.com](http://www.kern-sohn.com)) with regard to the monitoring of balance test substances and the test weights required for this. In KERN's accredited DKD calibration laboratory test weights and balances may be calibrated (return to the national standard) fast and at moderate cost.

## 4 Basic Safety Precautions

### 4.1 Pay attention to the instructions in the Operation Manual



Carefully read this operation manual before setup and commissioning, even if you are already familiar with KERN balances.

Versions in other languages are non-binding translations.  
The only binding version is the original document in German.

### 4.2 Personnel training

The appliance may only be operated and maintained by trained personnel.

## 5 Transportation & Storage

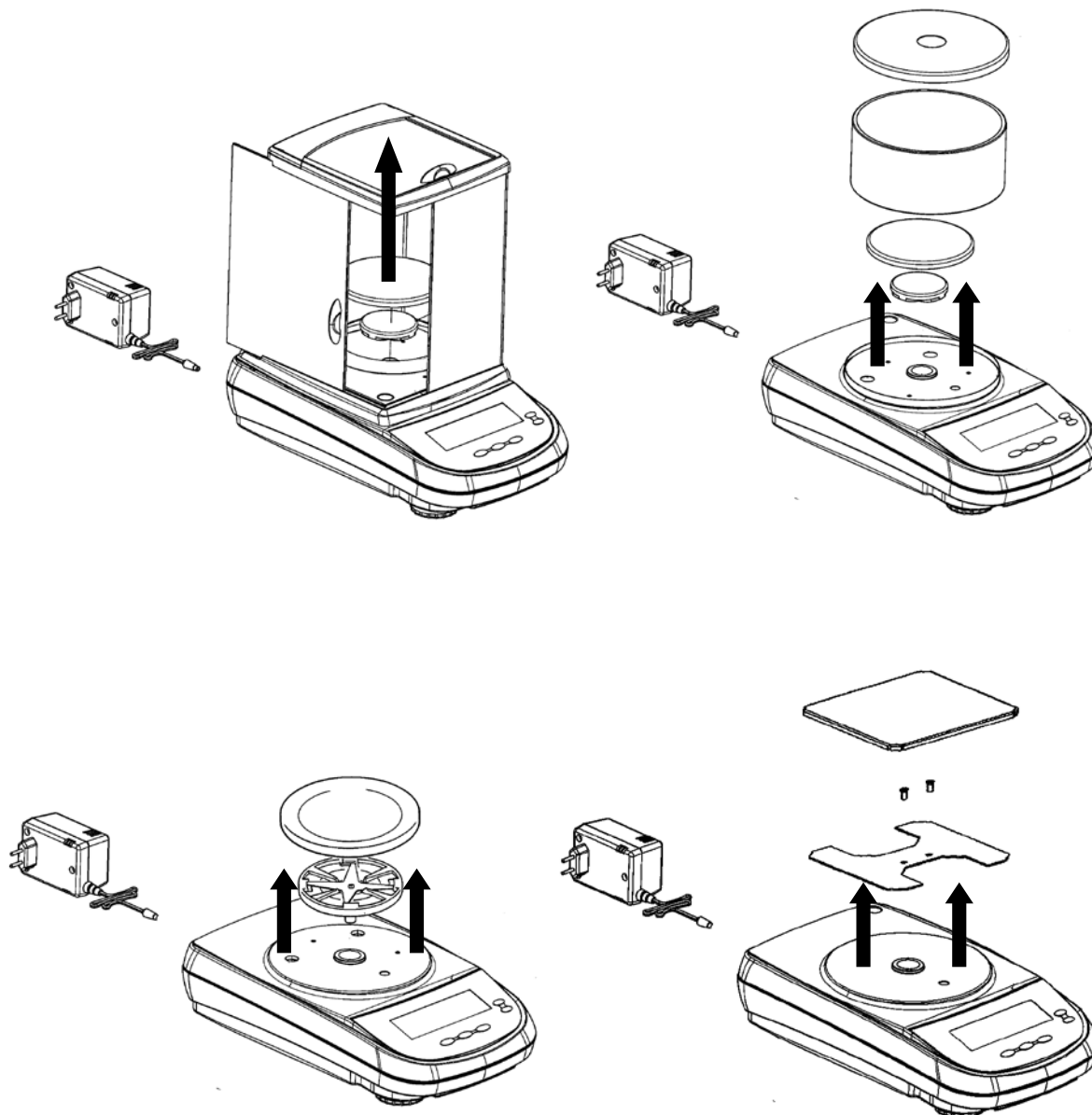
### 5.1 Testing upon acceptance

When receiving the appliance, please check packaging immediately, and the appliance itself when unpacking for possible visible damage.

## 5.2 Packaging / return transport



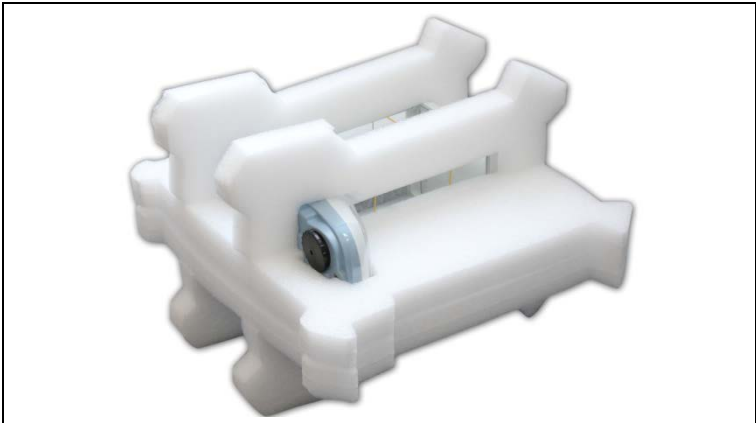
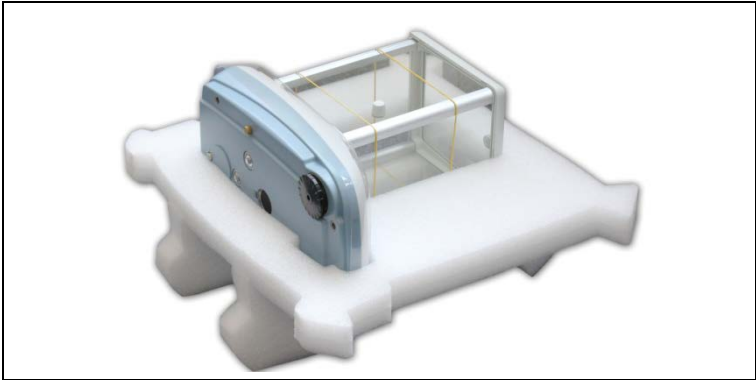
- ⇒ Keep all parts of the original packaging for a possibly required return.
- ⇒ Only use original packaging for returning.
- ⇒ Prior to dispatch disconnect all cables and remove loose/mobile parts.



- ⇒ Reattach possibly supplied transport securing devices.
- ⇒ Secure all parts such as the glass wind screen, the weighing platform, power unit etc. against shifting and damage.



Models ALJ/ALS:



## 6 Unpacking, Setup and Commissioning

### 6.1 Installation Site, Location of Use

The balances are designed in a way that reliable weighing results are achieved in common conditions of use.

You will work accurately and fast, if you select the right location for your balance.

***Therefore, observe the following for the installation site:***

- Place the balance on a firm, level surface;
- Avoid extreme heat as well as temperature fluctuation caused by installing next to a radiator or in the direct sunlight;
- Protect the balance against direct draughts due to open windows and doors;
- Avoid jarring during weighing;
- Protect the balance against high humidity, vapors and dust;
- Do not expose the device to extreme dampness for longer periods of time. Non-permitted condensation (condensation of air humidity on the appliance) may occur if a cold appliance is taken to a considerably warmer environment. In this case, acclimatize the disconnected appliance for ca. 2 hours at room temperature.
- Avoid static charge of goods to be weighed or weighing container.

Major display deviations (incorrect weighing results) may be experienced should electromagnetic fields (e.g. due to mobile phones or radio equipment), static electricity accumulations or instable power supply occur. Change location or remove source of interference.

### 6.2 Unpacking / placing

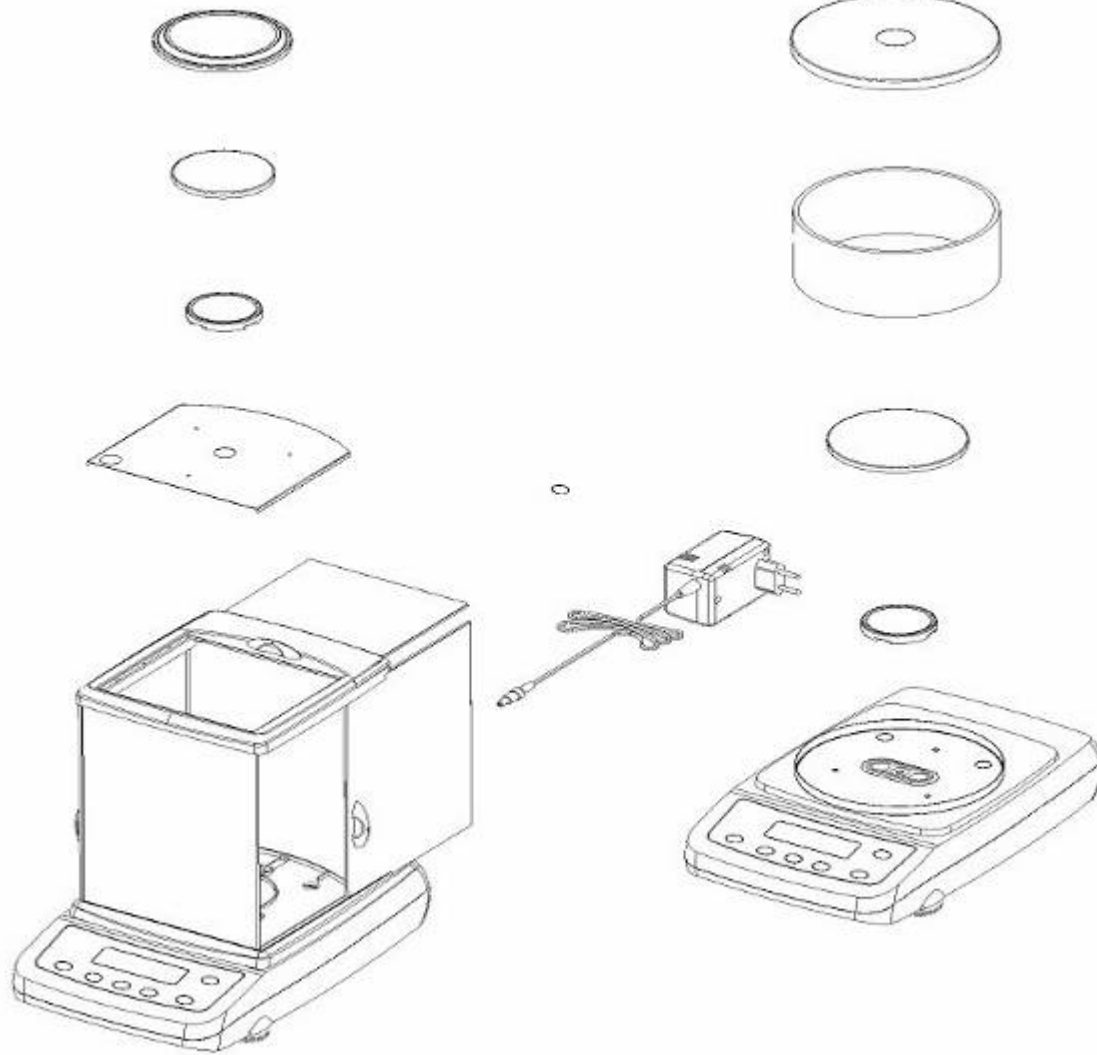
Carefully remove the balance from the packaging, remove plastic cover and setup balance at the intended workstation.

## 6.2.1 Placing

Design layout of weighing balance:

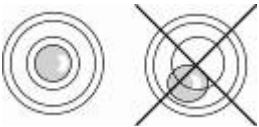
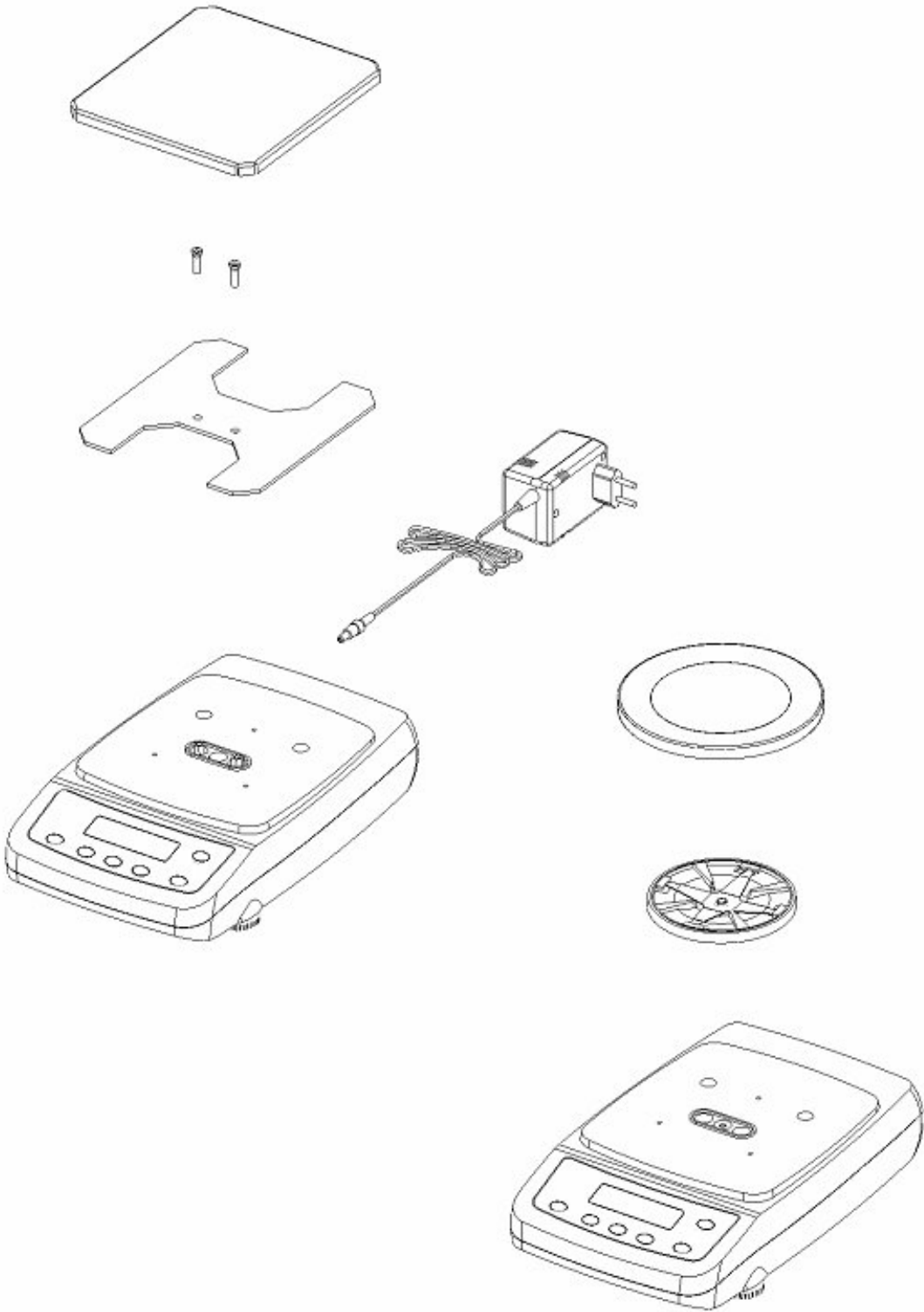
Models ALS/ALJ

Models PLS/PLJ, d = 1 mg



Models PLS/PLJ, d = 100 mg

Models PLS/PLJ, d = 10 mg



Level balance with foot screws until the air bubble of the water balance is in the prescribed circle.

Remove the transportation lock:

On the left lower side of the balance replace the golden-coloured screw with the silver-coloured one (see sticker).

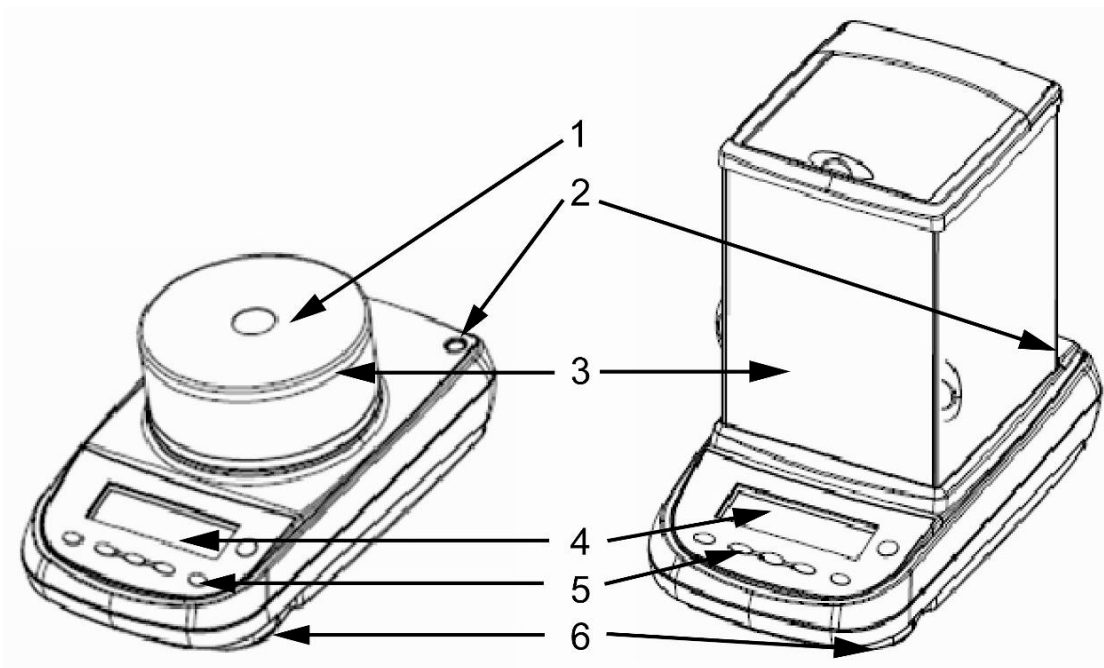


### 6.2.2 Scope of delivery / serial accessories

- Balance (See chpt. 6.2.1)
- Mains power supply
- Operating Manual

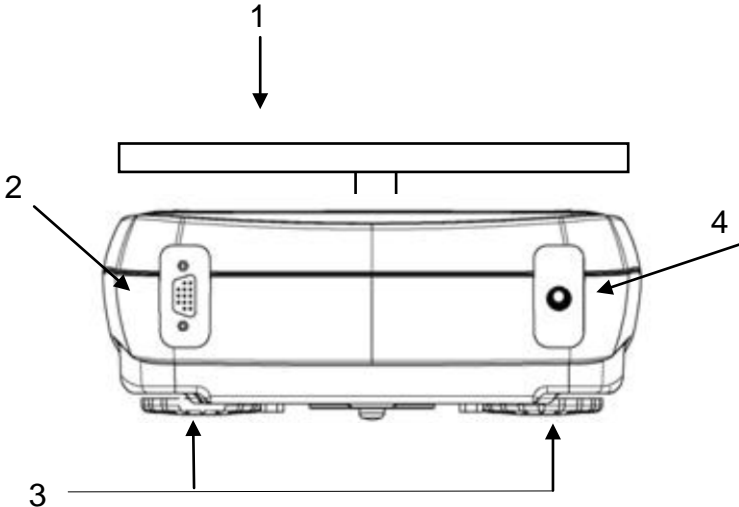
## 6.3 Appliance overview

### 6.3.1 Front side of the balance

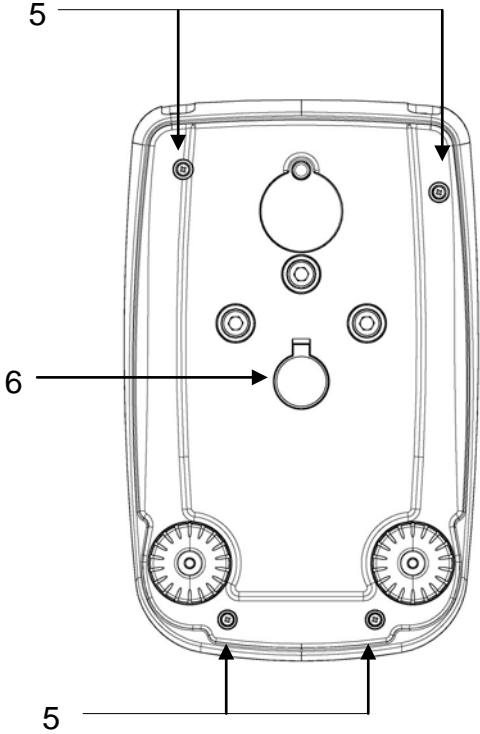


1	Cover windshield
2	Bubble level
3	Windshield
4	LCD display
5	Function keys
6	Adjustable feet

### 6.3.2 Back and bottom side of the balance



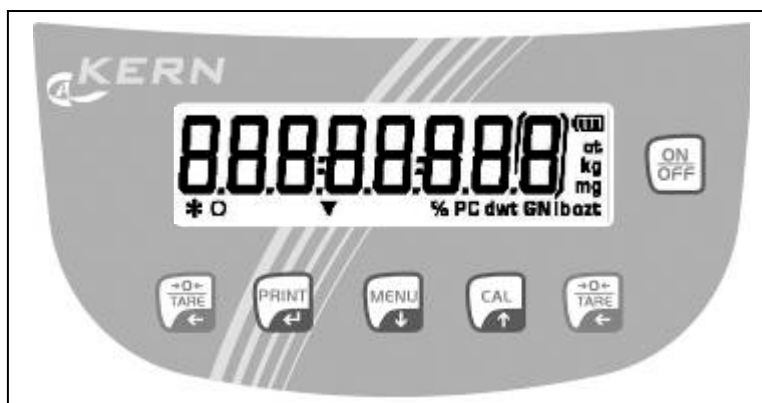
- 1. Weighing plate
- 2. RS232C interface
- 3. Foot screws
- 4. Mains adapter connection








- 5. Housing screws  
(in models with four feet  
first screw out the two  
rear feet)
- 6. Underfloor weighing  
device

## 6.4 Controls

### 6.4.1 Overview of display



### 6.4.2 Keyboard overview

Key	Designation	Short key pressing	longtime pressed button until the acoustic signal gets mute
	<b>MENU</b> button/	<ul style="list-style-type: none"> <li>• Call-up application menu</li> <li>• Select menu items – scroll forward</li> </ul>	<ul style="list-style-type: none"> <li>• Call-up user menu</li> <li>• Exit user menu</li> <li>• Switch-over display</li> </ul>
	Arrow button ↓	<ul style="list-style-type: none"> <li>• numerical input – scroll backward</li> </ul>	
	<b>ON/OFF</b> switch	<ul style="list-style-type: none"> <li>• Turn on/off</li> <li>• Exit user menu</li> </ul>	
	<b>CAL</b> button/	<ul style="list-style-type: none"> <li>• Adjustment</li> <li>• Select menu items – scroll backward</li> </ul>	
	Arrow button ↑	<ul style="list-style-type: none"> <li>• Numerical input – scroll forward</li> </ul>	
	<b>PRINT</b> button	<ul style="list-style-type: none"> <li>• Calculate weighing data via interface</li> <li>• Confirm / store settings</li> </ul>	
	Arrow button ←	<ul style="list-style-type: none"> <li>• Numerical input – cipher selection</li> </ul>	
	<b>TARE</b> button	<ul style="list-style-type: none"> <li>• Taring</li> <li>• Zeroing</li> </ul>	

## 6.5 Connect and switch-on power supply

Before connecting the mains adapter check if the printed voltage value is the same as the local supply voltage. Only use KERN original mains adapter. Using other makes requires consent by KERN.

- ⇒ Plug-in mains adapter in mains adapter bushing of the balance and connect to the mains.
- ⇒ The balance will carry out a self-test Then the balance is set into stand-by mode.



- ⇒ Press the **ON/OFF** key. When the zero display appears, the balance is ready for operation. When weighing with internal adjustment weight, adjustment first occurs automatically. During this process, „CAL“ will appear on the display.
- ⇒ Press the **ON/OFF** key anew. The balance is now in stand-by mode



For verified balances a warming-up time of 30 minutes must be observed.

After connecting the mains adapter a countdown starts.

## 6.6 Rechargeable battery operation (depends on model, see chp.1)

**The rechargeable battery is charged via the delivered power supply.**

The operating time of the rechargeable battery is about 30h; charging time until complete recharging ca. 10h.

In the menu you can activate the AUTO-OFF function [time off], see chp. 9.8.

According to menu settings, the balance switches automatically off in order to spare the battery.

When the balance is in battery mode the following symbols appear on the display:

	Battery charge sufficient
	Battery very low. Connect mains adapter as soon as possible to load the rechargeable battery.
	Voltage has dropped below prescribed minimum. Connect mains adapter to load the rechargeable battery.



## 6.7 Connection of peripheral devices

Before connecting or disconnecting of additional devices (printer, PC) to the data interface, always disconnect the balance from the power supply.

With your balance, only use accessories and peripheral devices by KERN, as they are ideally tuned to your balance.

## 6.8 Initial Commissioning

In order to obtain exact results with the electronic balances, your balance must have reached the operating temperature (see warming up time chap. 1).

During this warming up time the balance must be connected to the power supply (mains, accumulator or battery).

The accuracy of the balance depends on the local acceleration of gravity.

Strictly observe hints in chapter Adjustment.

### 6.8.1 Stability display

If the display shows the stability display [**\***] the balance is in a stable status. If the status is instable the [**\***] display disappears.

### 6.8.2 Balance zero display

If an exact zero reading is not displayed on the balance in spite of the weighing dish being empty, press the **TARE** button and the balance will start resetting to zero [**0**].

## 7 Adjustment

As the acceleration value due to gravity is not the same at every location on earth, each balance must be coordinated - in compliance with the underlying physical weighing principle - to the existing acceleration due to gravity at its place of location (only if the balance has not already been adjusted to the location in the factory). This adjustment process must be carried out for the first commissioning, after each change of location as well as in case of fluctuating environment temperature. To receive accurate measuring values it is also recommended to adjust the balance periodically in weighing operation.

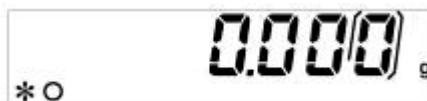
- ⇒ Observe stable environmental conditions. A warming up time (see chapter 1) is required for stabilization.
- ⇒ Ensure that there are no objects on the weighing plate.

## 7.1 Models with external weight (KERN ALS/PLS)

**i** The adjustment is locked for verified balances.

### 7.1.1 Adjustment with recommended adjustment weight (factory setting)

Weight value of the required adjustment weight see chpt. 1 “Technical specifications“:



⇒ Ensure that there are no objects on the weighing plate. Press the **CAL** key

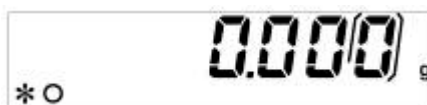


⇒ Wait until the weighed value for the required adjustment weight appears flashing.



⇒ **During** the flashing display put the required adjustment weight carefully in the center of the weighing plate.  
The flashing display disappears.  
After successful adjustment the balance automatically returns to weighing mode.

⇒ Take away adjustment weight



## 7.1.2 Adjustment with weights of other nominal values

Weights of different nominal values may be used for adjustment but are not optimal for technical measuring, possible adjustment points see table 1.

Info about adjustment weights can be found on the Internet at: <http://www.kern-sohn.com>



- ⇒ Ensure that there are no objects on the weighing plate. Press the **CAL** button and keep it pressed until the acoustic signal gets mute.



- ⇒ Wait until „load“ appears.



- ⇒ **During** the flashing display put the adjustment weight carefully in the center of the weighing plate.  
The flashing display disappears.  
After successful adjustment the balance automatically returns to weighing mode.
- ⇒ Take away adjustment weight



An error message will be displayed in the event of an adjustment error or incorrect adjustment weight. Wait until the balance is again in weighing mode and repeat the adjustment procedure.

<b>Model</b>	<b>Recommended adjustment weight (see chap. 7.1.1).</b>	<b>Other measurement-technically not optimal nominal values for adjustment (see chap. 7.1.2)</b>
<b>A-models</b>		
ALJ 160-4A		
ALJ 250-4A		
ALS 160-4A	150g	100g
ALS 250-4A	200g	100g
PLJ-720-3A		
PLJ 1200-3A		
PLJ 1200-3DA		
PLJ 6200-2A		
PLJ 6200-2DA		
PLJ 720-3AM		
PLJ 6200-2AM		
PLS 510-3A	500g	100g, 200g, 300g, 400g
PLS 720-3A	600g	100g, 200g, 300g, 400g, 500g
PLS 1200-3A	1000g	-
PLS 1200-3DA	1000g	-
PLS 4200-2A	4000g	1000g, 2000g, 3000g
PLS 6200-2A	5000g	1000g, 2000g, 3000g, 4000g, 6000g
PLS 6200-2DA	5000g	1000g, 2000g, 3000g, 4000g, 6000g
<b>F-models</b>		
PLJ 310-3F		
PLJ 420-3F		
PLJ 3100-2F		
PLJ 4200-2F		
PLS 310-3F	300g	100g, 200g
PLS 420-3F		
PLS 3100-2F	3000g	1000g, 2000g
PLS 4200-2F		
PLS 20000-1F	20000g	10 kg

## 7.2 Models with internal weight (KERN ALJ/PLJ)

For non verified balances four adjustment possibilities are available in the menu.

**Menu settings** In weighing mode press the **MENU** button and keep it pressed until the acoustic signal gets mute. The first menu item „units“ is displayed.

Press **MENU** button repeatedly until „calib“ appears and confirm using **PRINT** button.

Use the **MENU** key to choose between the following settings:

**AUT-CAL** Automatic adjustment with internal weight.  
Factory settings of models with type approval.

**I-CAL** Adjustment with internal weight after having pressed CAL; not available for models with settings appropriate for verification.

**E-CAL** Adjustment with external weight  
not available for models with settings appropriate for verification.

**TEC-CAL** not documented

Take over selection using the **PRINT** button.  
The balance returns to menu.

To finish the menu press the **MENU** button and keep it pressed until the acoustic signal gets mute. The balance returns automatically into weighing mode.

### **AUT-CAL** Factory setting of verified balances

With activated AUT-CAL function the internal adjustment is automatically started when the balance

- after the weighing balance was disconnected from the mains
- after pressing **ON/OFF** in stand-by mode
- after a temperature change of 1.5 °C with non loaded weighing plate / zero display
- after a time interval of 20 min with non loaded weighing plate / zero display

The automatic adjustment function is always enabled. You can start adjustment at any time by pressing the **CAL**-key manually.

**I-CAL** When the I-CAL function is activated, the internal adjustment is started only by pressing the **CAL** button. Before pressing CAL ensure that there are no objects on the weighing plate.

**E-CAL** At the models with internal adjustment weight the adjustment with external weight is not recommended.  
Procedure see chapter 7.1.

### 7.2.1 Adjustment models PLJ-M

**Menu settings** In weighing mode press the **MENU** button and keep it pressed until the acoustic signal gets mute. The first menu item „units“ is displayed.  
Press **MENU** button repeatedly until „calib“ appears and confirm using **PRINT** button.

Use the **MENU** key to choose between the following settings:

**AUT-CAL** Automatic adjustment with internal weight.  
Factory setting for models with type approval.

Take over selection using the **PRINT** button.  
The balance returns to menu.

To finish the menu press the **MENU** button and keep it pressed until the acoustic signal gets mute. The balance returns automatically into weighing mode.

## 7.2.2 Overwrite internal adjustment weight

(Models with settings not appropriate for verification only)

- ⚠ Overwriting is restricted to specialist staff possessing well acquainted with the workings of weighing scales.



- ⇒ Press the **MENU** button and keep it pressed until the acoustic signal gets mute.



- ⇒ Press the **MENU** button as often as required until „CALib“ appears  
⇒ Operate the **PRINT** key  
⇒ Press the **MENU** button as often as required until „TEC-CAL“ appears



- ⇒ Press the **PRINT** button and keep it pressed until the acoustic signal gets mute.



- ⇒ Press the **MENU** button and keep it pressed until the acoustic signal gets mute. The balance changes automatically into weighing mode  
⇒ Ensure that there is no load on the weighing plate  
⇒ Press the **CAL** key



Wait until the exact value of the adjustment weight will be shown flashing



(Example)

- ⇒ Place the displayed adjusting weight on the weighing plate. The flashing display extinguishes and the balance changes into weighing mode.  
⇒ Remove adjustment weight from weighing plate  
⇒ Press the **PRINT** button and keep it pressed until the acoustic signal gets mute. The calibrating process is started  
During this process „tEc MEM“ is displayed

After having automatically saved the value of the internal adjustment weight, the balance will return into weighing mode.

- ⇒ Carry out the adjustment process as described in chapter 7.2

## 7.3 Verification

### General introduction:

According to EU directive 90/384/EEC balances must be verified if they are used as follows (legally controlled area):

- a) For commercial transactions if the price of goods is determined by weighing.
- b) For the production of medicines in pharmacies as well as for analyses in the medical and pharmaceutical laboratory.
- c) For official purposes.
- d) For manufacturing final packages.

In cases of doubt, please contact your local trade in standard.

### Verification instructions

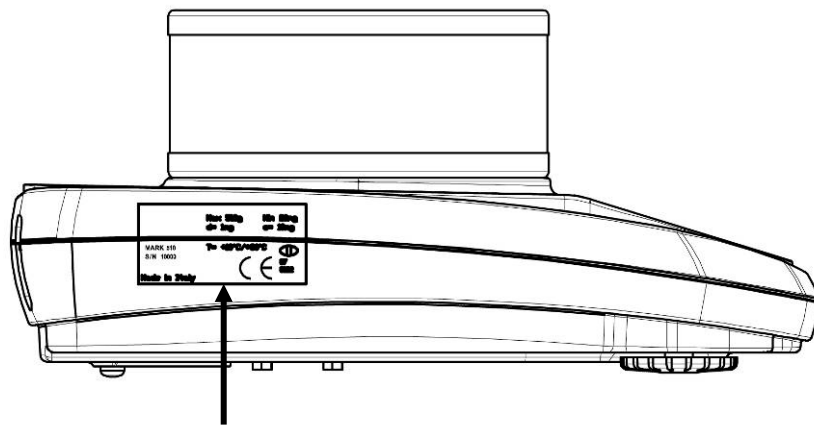
An EU type approval exists for balances described in their technical data as verifiable. If a balance is used where obligation to verify exists as described above, it must be verified and re-verified in regular intervals.

Re-verification of a balance is carried out according to the respective national regulations. The validity for verification of balances in Germany is e.g. 2 years.

The legal regulation of the country where the balance is used must be observed!

After verification the balance is sealed at the indicated positions.

**Verification of the balance is invalid without the "seal".**



Position of the seal mark (models PLJ)

**Balances with obligation to verify must be taken out of operation if:**

- ⇒ **The weighing result of the balance is outside the error limit.**  
Therefore, in regular intervals load balance with known test weight (ca. 1/3 of the max. load) and compare with displayed value.
- ⇒ **The reverification deadline has been exceeded.**





## 8 Basic Operation

### Start-up

In stand-by mode (see chap. 6.5) press ON/OFF button.  
The balance is ready for weighing when the weight display appears.



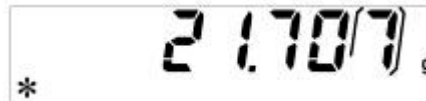
**For models PLJ-M** "Wait 30" appears on the display. The weighing balance requires 30 minutes to reach stabilisation. Afterwards it will automatically change into weighing mode at which point it will be ready for operation.

### Switching Off

Press ON/OFF button, the balance returns to the stand-by mode (see chap. 6.5).

### Simple weighing

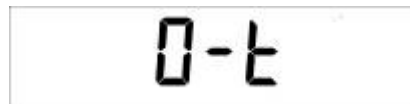
- ⇒ Place goods to be weighed on balance
- ⇒ Wait until the stability display appears [\*]



- ⇒ Read weighing result.

### Taring

- ⇒ Place the weighing box and press the **TARE** button.  
„0-t“ is displayed.



- ⇒ After standstill control the zero display appears.



The weight of the container is now internally saved.

- ⇒ Weigh the material, the net weight will be indicated.  
The weight of the weighing container will be displayed as a minus number after removing the weighing container.  
The tare weight is saved until it is deleted. Remove the load from the balance and press the **TARE** button. „0-t“ is displayed, wait until the zero display appears.

The tare procedure can be repeated as many times as necessary, for example with initial weighing of several components for a mix (add-on weighing). The limit is reached when the total weighing range capacity is full.

## 8.1 Underfloor weighing

Objects unsuitable for placing on the weighing scale due to size or shape may be weighed with the help of the flush-mounted platform.

Proceed as follows:

- Switch off the balance
- Open closing cover (1) at the balance bottom.
- Suspend hook for underfloor weighing **carefully and completely**.
- Place weighing balance over an opening.
- Attach load to hook and carry out weighing procedure.

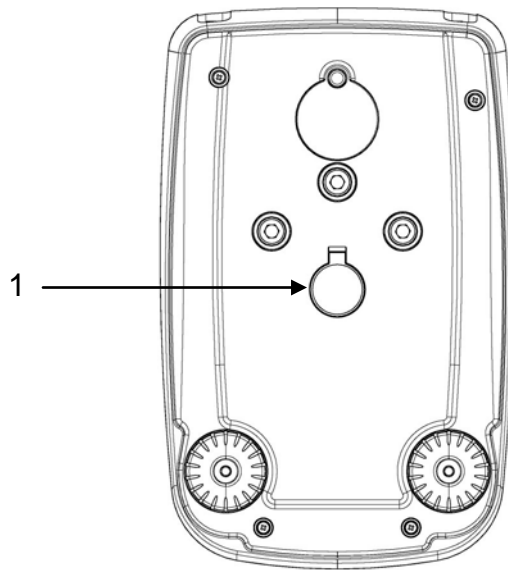


Fig. 1: Setup of balance for underfloor weighing



- Always ensure that all suspended objects are stable enough to hold the desired goods to be weighed safely (danger of breaking).
- Never suspend loads that exceed the stated maximum load (max) (danger of breaking)
- Always ensure that there are no persons, animals or objects that might be damaged underneath the load.



After completing the underfloor weighing the opening on the bottom of the balance must always be closed (dust protection).

## 9 User menu

The settings of the balance can be changed in the user menu. This way, the balance can be adjusted to individual weighing requirements.

By the factory the user menu has been set in a way that normally no more changes must be made, only at special conditions of use.

### Navigation in the menu

<b>Access to menu</b>	In weighing mode press the <b>MENU</b> button and keep it pressed until the acoustic signal gets mute. The first menu item „units“ is displayed.
<b>How to select menu items</b>	Using the <b>MENU</b> button the individual menu items can be selected one after the other. ⇒ Scroll forward using <b>MENU</b> button ⇒ Scroll backward using <b>CAL</b> button
<b>Change settings</b>	Acknowledge selected menu item using <b>PRINT</b> button, the current setting is displayed. Each time the arrow buttons ↓ ↑ are pressed the next setting will be displayed. ⇒ Scroll forward using <b>MENU</b> button ⇒ Scroll backward using <b>CAL</b> button
<b>Save settings</b>	Take over selection using the <b>PRINT</b> button. Weighing balance returns to menu. Either make more settings in the menu or go back to menu mode as follows.
<b>Exit menu/ back to weighing mode</b>	Press the <b>MENU</b> button and keep it pressed until the acoustic signal gets mute. The balance returns automatically into weighing mode.

## Menu overview

Menu item	Display	Selection	Description
Weighing unit (see chap. 9.1)	<b>Units</b>	<b>Gram</b>	Gramm
		<b>* Carat</b>	Carat
		<b>* Ounce</b>	Unze
		<b>* Pound</b>	Pound
		<b>* PEnn</b>	Pennyweight
		<b>* OuncEtr</b>	Troy Unze
		<b>* GrAin</b>	Grain
		<b>* tAEL Hon</b>	Tael Hongkong
		<b>* tAEL SGP</b>	Tael Singapore
		<b>* tAEL roc</b>	Tael R.O.C.
		<b>* Momme</b>	Momme
Data output type (see chap. 9.2)	<b>PC-Prtr</b>	<b>PC cont</b>	Continuous output
		<b>PC CMd</b>	Manual issue after pressing the <b>PRINT</b> button
		<b>tIP50</b>	not documented
		<b>Print</b>	not documented
Baudrate (see chap. 9.3)	<b>baud rt</b>	<b>br 1200</b>	
		<b>br 2400</b>	
		<b>br 4800</b>	
		<b>br 9600</b>	
Aukto zero (see chap. 9.4)	<b>Auto 0</b>	<b>Au0 OFF</b>	Auto Zero switched off
		<b>Au0 1</b>	Auto Zero range $\pm \frac{1}{2}$ digit
		<b>Au0 2</b>	Auto Zero range $\pm 3$ digits
		<b>Au0 3</b>	Auto Zero range $\pm 7$ digits
		<b>Au0 3E</b>	Auto Zero range $\pm 7$ digits in the whole weighing range
Filter (see chap. 9.5)	<b>Filter</b>	<b>Filt 1</b>	Setting for dispensing
		<b>Filt 2</b>	Sensitive and fast, very quiet set-up location
		<b>Filt 3</b>	Robust but slow, busy set-up locatio
Standstill control display (see chap. 9.6)	<b>Stabil</b>	<b>Stab 1</b>	Standstill control fast – very quiet set-up location
		<b>Stab 2</b>	Standstill control fast + exact – quiet set-up location
		<b>Stab 3</b>	Standstill control exact – very set-up location

Contrast of the display (see chap. 9.7)	<b>Contr</b>	<b>1-15</b>	Select contrast
Backlight (see chap. 9.8)	<b>Blit</b>	<b>on</b>	Backlight on
		<b>off</b>	Backlight off
		<b>Auto</b>	Backlight automatically switched off 3 seconds after achieving stable weighing value. Changes in weight or pressing of keys will automatically result in backlight switching on again.
AUTO OFF in stand-by mode (see chap. 9.9)	<b>time off</b>	<b>disab</b>	AUTO-OFF off
		<b>2 Min</b>	AUTO-OFF after 2 minutes without changing the weight
		<b>5 Min</b>	AUTO-OFF after 5 minutes without changing the weight
		<b>15 Min</b>	AUTO-OFF after 15 minutes without changing the weight
Adjustment (see chap. 7)	<b>Calib</b>	<b>*E-Cal</b>	Adjustment with external weight, locked for verifiable units
		<b>*Tec Cal</b>	not documented
		<b>*Aut Cal</b>	Automatic adjustment with internal weight.
		<b>*I-Cal</b>	Adjustment with internal weight after having pressed CAL, locked in verifiable units.
	<b>End</b>		

\* = not available in all models

## Menu overview models PLJ-M:

Menu item	Display	Selection	Description
Weighing unit (see chap. 9.1)	<b>Units</b>	<b>Gram</b>	Gramm
		<b>* Carat</b>	Carat
		<b>* Ounce</b>	Unze
		<b>* Pound</b>	Pound
		<b>* PEnn</b>	Pennyweight
		<b>* OuncEtr</b>	Troy Unze
		<b>* GrAin</b>	Grain
		<b>* tAEL Hon</b>	Tael Hongkong
		<b>* tAEL SGP</b>	Tael Singapore
		<b>* tAEL roc</b>	Tael R.O.C.
		<b>* Momme</b>	Momme
Data output type (see chap. 9.2)	<b>PC-Prtr</b>	<b>PC cont</b>	Continuous output
		<b>PC CMd</b>	Manual issue after pressing the <b>PRINT</b> button
		<b>tIP50</b>	not documented
		<b>Print</b>	not documented
Baudrate (see chap. 9.3)	<b>baud rt</b>	<b>br 1200</b>	
		<b>br 2400</b>	
		<b>br 4800</b>	
		<b>br 9600</b>	
Aukto zero (see chap. 9.4)	<b>Auto 0</b>	<b>Au0 OFF</b>	Auto Zero switched off
		<b>Au0 1</b>	Auto Zero range $\pm \frac{1}{2}$ digit
Filter (see chap. 9.5)	<b>Filter</b>	<b>Filt 1</b>	Setting for dispensing
		<b>Filt 2</b>	Sensitive and fast, very quiet set-up location
		<b>Filt 3</b>	Robust but slow, busy set-up locatio
Standstill control display (see chap. 9.6)	<b>Stabil</b>	<b>Stab 1</b>	Standstill control fast – very quiet set-up location
		<b>Stab 2</b>	Standstill control fast + exact – quiet set-up location
		<b>Stab 3</b>	Standstill control exact – very set-up location

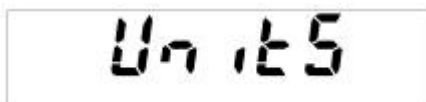
Contrast of the display (see chap. 9.7)	<b>Contr</b>	<b>1-15</b>	Select contrast
Backlight (see chap. 9.8)	<b>Blit</b>	<b>on</b>	Backlight on
		<b>off</b>	Backlight off
		<b>Auto</b>	Backlight automatically switched off 3 seconds after achieving stable weighing value. Changes in weight or pressing of keys will automatically result in backlight switching on again.
AUTO OFF in stand-by mode (see chap. 9.9)	<b>time off</b>	<b>disab</b>	AUTO-OFF off
		<b>2 Min</b>	AUTO-OFF after 2 minutes without changing the weight
		<b>5 Min</b>	AUTO-OFF after 5 minutes without changing the weight
		<b>15 Min</b>	AUTO-OFF after 15 minutes without changing the weight
Adjustment (see chap. 7)	<b>Calib</b>	<b>*Aut Cal</b>	Automatic adjustment with internal weight.
	<b>End</b>		

\* = not available in all models

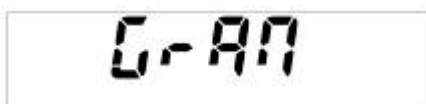
## 9.1 Weighing unit

According to requirements the balance can be switched-over into different units (in verified balances not all the units are available, see chap. 1 „Technical specifications“). Selected weighing unit will be retained even after disconnection from the mains.

- ⇒ In weighing mode press the **MENU** button and keep it pressed until the acoustic signal gets mute. The first menu item „units“ is displayed.



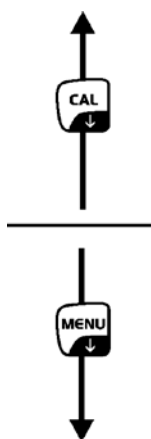
- ⇒ Acknowledge using **PRINT** button, the current setting is displayed.



- ⇒ Press the arrow keys **↓** **↑** to select desired setting.

Scroll forward using **MENU** button

Scroll backward using **CAL** button



Symbol	Weighing unit	Conversion factor 1g =
Gram	GRAMS	1.
* Carat	CARATS	5.
* Ounce	OUNCE	0.035273962
* Pound	POUNDS	0.0022046226
* PEnn	PENNYWEIGHTS	0.643014931
* OuncEtr	OUNCE TROY	0.032150747
* GrAin	GRAIN	15.43235835
* tAEL Hon	HONG KONG T AEL	0.02671725
* tAEL SGP	SYNGAPORE T AEL	0.02646063
* tAEL roc	R.O.C. T AEL	0.02666666
* Momme	MOMME	0.2667

\* not available in all models

- ⇒ Take over selection using the **PRINT** button. Weighing balance returns to menu. Either make more settings in the menu or go back to weighing mode as follows.
- ⇒ Press the **MENU** button and keep it pressed until the acoustic signal gets mute. The balance returns automatically into weighing mode.



## 9.2 Data output type

- ⇒ In weighing mode press the **MENU** button and keep it pressed until the acoustic signal gets mute.

A rectangular LCD display showing the word "Units" in a digital font.

- ⇒ Press **MENU** button

A rectangular LCD display showing "PC-Prnt" in a digital font.

- ⇒ Acknowledge using **PRINT** button, the current setting is displayed.

- ⇒ Press the arrow keys **↓** **↑** to select desired setting.

Scroll forward using **MENU** button

Scroll backward using **CAL** button

A rectangular LCD display showing "PC Cont" in a digital font.



A rectangular LCD display showing "PC CMD" in a digital font.



A rectangular LCD display showing "Prnt" in a digital font.

„PC cont“ = Continuous output

„PC CMD“ = Manual issue after pressing the **PRINT** button

„Print“ = not documented

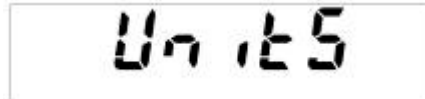
- ⇒ Take over selection using the **PRINT** button.  
Weighing balance returns to menu. Either make more settings in the menu or go back to weighing mode as follows.

- ⇒ Press the **MENU** button and keep it pressed until the acoustic signal gets mute.  
The balance returns automatically into weighing mode.

A rectangular LCD display showing "0.000" in a large digital font, with a small "g" to the right. In the bottom left corner, there is a small "\* O" icon.

### 9.3 Baud rate

- ⇒ In weighing mode press the **MENU** button and keep it pressed until the acoustic signal gets mute.



- ⇒ Press **MENU** button repeatedly

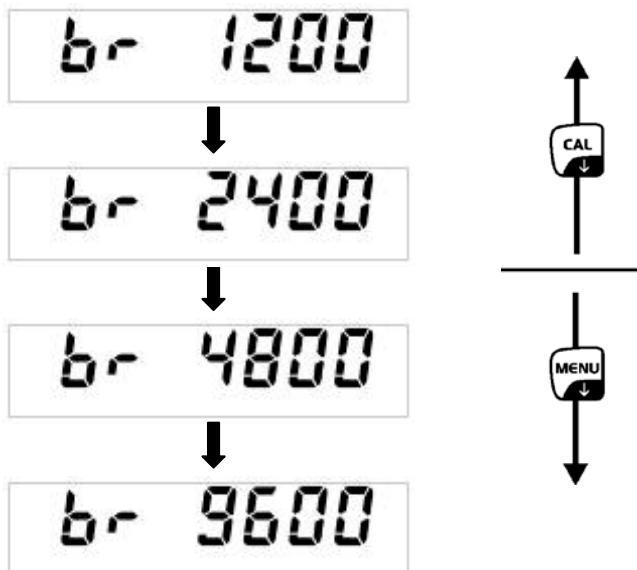


- ⇒ Acknowledge using **PRINT** button, the current setting is displayed.

- ⇒ Press the arrow keys **↓** **↑** to select desired setting.

Scroll forward using **MENU** button

Scroll backward using **CAL** button



- ⇒ Take over selection using the **PRINT** button. Weighing balance returns to menu. Either make more settings in the menu or go back to weighing mode as follows.

- ⇒ Press the **MENU** button and keep it pressed until the acoustic signal gets mute. The balance returns automatically into weighing mode.



## 9.4 Auto Zero

Under this menu item the automatic zero point correction can be switched on or off. In switched-on-state the zero point is automatically corrected at drift or when dirty.

Information:

In the event that small quantities are removed or added to the material to be weighed, incorrect weighing results can be displayed due to the “stability compensation“ in the balance. (e.g. slow flow of liquids from a container placed on the balance, evaporating processes).

When apportioning involves small variations of weight, it is advisable to switch off this function.

- ⇒ In weighing mode press the **MENU** button and keep it pressed until the acoustic signal gets mute.

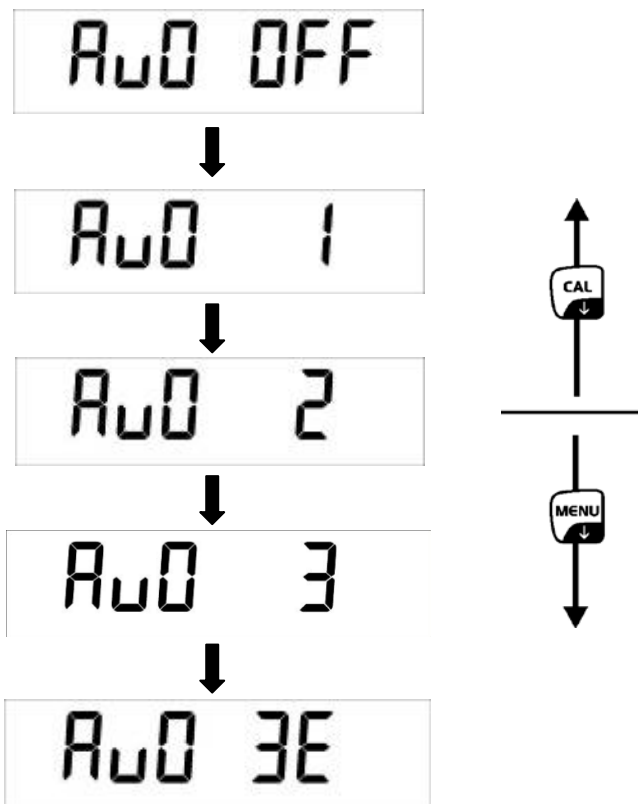
A rectangular digital display showing the word "Units" in a black, seven-segment font.

- ⇒ Press **MENU** button repeatedly

A rectangular digital display showing the text "Auto 0" in a black, seven-segment font.

- ⇒ Acknowledge using **PRINT** button, the current setting is displayed.

- ⇒ Press the arrow keys **↓** **↑** to select desired setting.  
 Scroll forward using **MENU** button  
 Scroll backward using **CAL** button



- Au0 OFF** = Auto Zero switched off  
**Au0 1** = Auto Zero range  $\pm \frac{1}{2}$  digit  
**Au0 2** = Auto Zero range  $\pm 3$  digits  
**Au0 3** = Auto Zero range  $\pm 7$  digits  
**Au0 3E** = Auto Zero range  $\pm 7$  digits in the whole weighing range

- ⇒ Take over selection using the **PRINT** button.  
 Weighing balance returns to menu. Either make more settings in the menu or go back to weighing mode as follows.
- ⇒ Press the **MENU** button and keep it pressed until the acoustic signal gets mute.  
 The balance returns automatically into weighing mode.



For models PLJ\_M settings are restricted to "Au0 OFF" and „Au0 1“

## 9.5 Filter

This menu item allows the balance to be set according to specific ambient conditions and measuring purposes.

- ⇒ In weighing mode press the **MENU** button and keep it pressed until the acoustic signal gets mute.

A rectangular digital display showing the word "Units" in a black, seven-segment font.

- ⇒ Press **MENU** button repeatedly

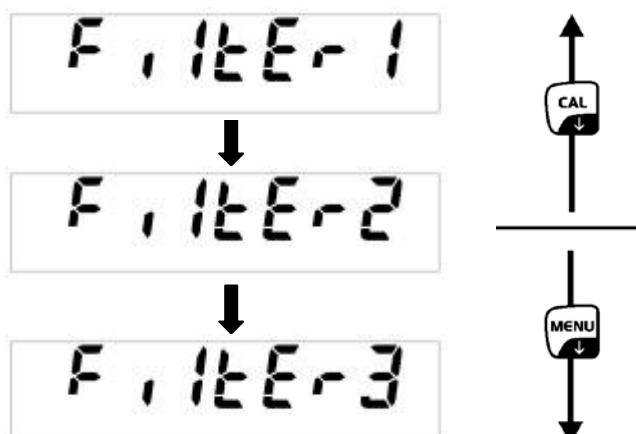
A rectangular digital display showing "F, lter" in a black, seven-segment font.

- ⇒ Acknowledge using **PRINT** button, the current setting is displayed.

- ⇒ Press the arrow keys **↓** **↑** to select desired setting.

Scroll forward using **MENU** button

Scroll backward using **CAL** button



**FILTER 1:** Setting for dispensing

**FILTER 2:** Sensitive and fast, very quiet set-up location.

**FILTER 3:** Robust but slow, busy set-up location.

- ⇒ Take over selection using the **PRINT** button.  
Weighing balance returns to menu. Either make more settings in the menu or go back to weighing mode as follows.

- ⇒ Press the **MENU** button and keep it pressed until the acoustic signal gets mute.  
The balance returns automatically into weighing mode.

A rectangular digital display showing "0.000" in a large black, seven-segment font, with a small "g" to the right. To the left of the display is a small "\* O" symbol.

## 9.6 Standstill control display

- ⇒ In weighing mode press the **MENU** button and keep it pressed until the acoustic signal gets mute.

A rectangular digital display showing the word "Units" in a large, black, dot-matrix font.

- ⇒ Press **MENU** button repeatedly

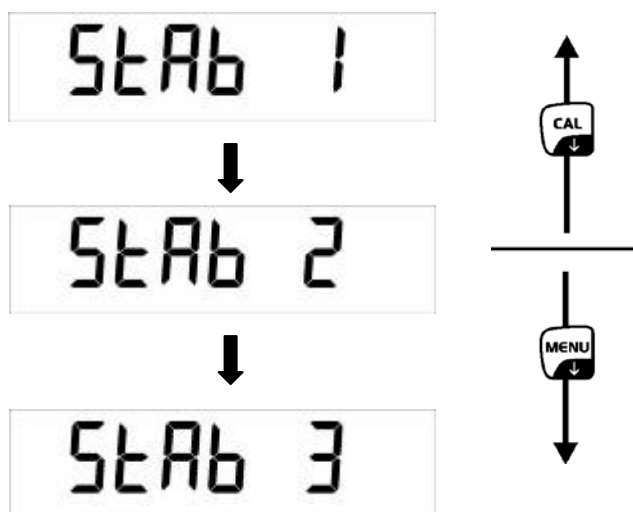
A rectangular digital display showing "STAB 1" in a large, black, dot-matrix font.

- ⇒ Acknowledge using **PRINT** button, the current setting is displayed.

- ⇒ Press the arrow keys **↓** **↑** to select desired setting.

Scroll forward using **MENU** button

Scroll backward using **CAL** button



**STAB 1:** Standstill control fast – very quiet set-up location

**STAB 2:** Standstill control fast + exact – quiet set-up location

**STAB 3:** Standstill control exact – very set-up location.

- ⇒ Take over selection using the **PRINT** button.  
Weighing balance returns to menu. Either make more settings in the menu or go back to weighing mode as follows.

- ⇒ Press the **MENU** button and keep it pressed until the acoustic signal gets mute.  
The balance returns automatically into weighing mode.

A rectangular digital display showing "0.000" in a large, black, dot-matrix font, with a small "g" to its right. In the bottom left corner, there is a small "\* O" symbol.

## 9.7 Setting the contrast of the display

To set the contrast of the display you can choose between 15 values.

- ⇒ In weighing mode press the **MENU** button and keep it pressed until the acoustic signal gets mute.

A rectangular box containing the text 'Units' in a digital font.

- ⇒ Press **MENU** button repeatedly

A rectangular box containing the text 'Contr' in a digital font.

- ⇒ Acknowledge using **PRINT** button, the current setting is displayed.

- ⇒ Press the arrow keys **↓** **↑** to select desired setting.

Scroll forward using **MENU** button

Scroll backward using **CAL** button

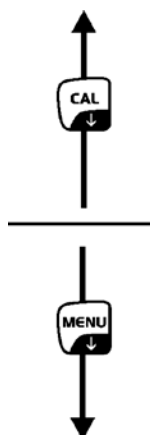
A rectangular box containing the text '-01-' in a digital font.



A rectangular box containing the text '-08-' in a digital font.



A rectangular box containing the text '-15-' in a digital font.



**01:** small contrast

**08:** medium contrast

**15:** high contrast

- ⇒ Take over selection using the **PRINT** button.  
Weighing balance returns to menu. Either make more settings in the menu or go back to weighing mode as follows.

- ⇒ Press the **MENU** button and keep it pressed until the acoustic signal gets mute.  
The balance returns automatically into weighing mode.

A rectangular box containing the text '\* O' on the left and '0.000 g' on the right in a digital font.

## 9.8 Display background illumination

⇒ In weighing mode press the **MENU** button and keep it pressed until the acoustic signal gets mute.

Units

⇒ Press **MENU** button repeatedly

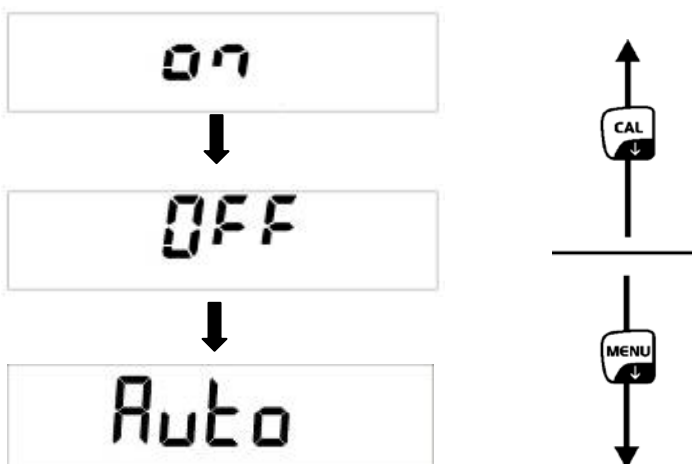
bLk

⇒ Acknowledge using **PRINT** button, the current setting is displayed.

⇒ Press the arrow keys **↓** **↑** to select desired setting.

Scroll forward using **MENU** button

Scroll backward using **CAL** button



**ON** Background illumination on

**OFF** Background illumination off

**Auto** Backlighting automatically switched off 3 seconds after achieving stable weighing value. Changes in weight or pressing of keys will automatically result in backlight switching on again.

⇒ Take over selection using the **PRINT** button. Weighing balance returns to menu. Either make more settings in the menu or go back to weighing mode as follows.

⇒ Press the **MENU** button and keep it pressed until the acoustic signal gets mute. The balance returns automatically into weighing mode.

\* 0 0.0000 g



## 9.9 Automatic switch-off function „AUTO OFF“ in stand-by mode

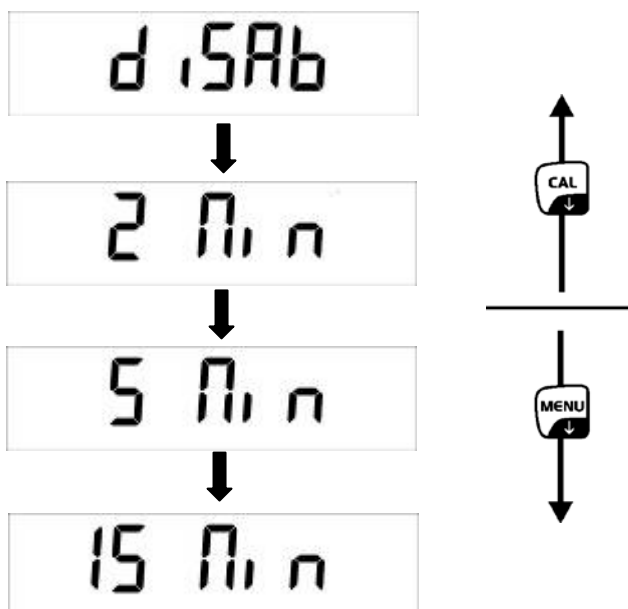
- ⇒ In weighing mode press the **MENU** button and keep it pressed until the acoustic signal gets mute.

Units

- ⇒ Press **MENU** button repeatedly

t ME OFF

- ⇒ Acknowledge using **PRINT** button, the current setting is displayed.
- ⇒ Press the arrow keys **↓** **↑** to select desired setting.  
 Scroll forward using **MENU** button  
 Scroll backward using **CAL** button



- disab** = AUTO-OFF switched off
- 2 Min** = AUTO-OFF after 2 minutes without changing the weight
- 5 Min** = AUTO-OFF after 5 minutes without changing the weight
- 15 Min** = AUTO-OFF after 15 minutes without changing the weight

- ⇒ Take over selection using the **PRINT** button.  
Weighing balance returns to menu. Either make more settings in the menu or go back to weighing mode as follows.
- ⇒ Press the **MENU** button and keep it pressed until the acoustic signal gets mute.  
The balance returns automatically into weighing mode.

\* 0 0.0000 g

## 10 User menu

The following operating modes may be enabled/disabled in the user menu:

<b>Count</b>	Parts counting
↓	
<b>Dens</b>	Density determination of solids/liquids
↓	
<b>Add</b>	Adding function
↓	
<b>HoL</b>	Checkweighing
↓	
<b>Perc</b>	Percent determination
↓	
<b>Anim</b>	Animal weighing function
↓	
<b>M Load</b>	Peak value function
↓	
<b>End</b>	

### Navigation in the menu

<b>Access to menu</b>	In weighing mode press <b>MENU</b> button. The first menu item „count“ is displayed.
<b>How to select menu items</b>	Using the <b>MENU</b> button the individual menu items can be selected one after the other. ⇒ Scroll forward using <b>MENU</b> button ⇒ Scroll backward using <b>CAL</b> button
<b>Change settings</b>	Acknowledge selected menu item using <b>PRINT</b> button, the current setting is displayed. Each time the arrow buttons ↓ ↑ are pressed the next setting will be displayed. ⇒ Scroll forward using <b>MENU</b> button ⇒ Scroll backward using <b>CAL</b> button
<b>Save settings</b>	Take over selection using the <b>PRINT</b> button. Weighing balance returns to menu. Either make more settings in the menu or go back to menu mode as follows.
<b>Exit menu/ back to weighing mode</b>	Press the <b>MENU</b> button and keep it pressed until the acoustic signal gets mute. The balance returns automatically into weighing mode.

## 10.1 Parts counting

Before the balance can count parts, it must know the average part weight (i.e. reference). Proceed by putting on a certain number of the parts to be counted. The balance determines the total weight and divides it by the number of parts, the so-called reference quantity. Counting is then carried out on the basis of the calculated average piece weight.

As a rule:

**The higher the reference quantity the higher the counting exactness.**

⇒ In weighing mode press **MENU** button. The first menu item „count“ is displayed.

A rectangular display box containing the word "Count" in a large, black, monospaced font.

⇒ Acknowledge using **PRINT** button, the current reference quantity is displayed.

A rectangular display box containing the text "SNPL 10" in a large, black, monospaced font.

⇒ Using the arrow buttons **↓** **↑** select reference quantity (10, 25, 50, 100 or manual = numerical input of the reference weight, see chap. 10.1.3).

Scroll forward using **MENU** button

Scroll backward using **CAL** button

⇒ If using a weighing container, put this before pressing the **PRINT** button. The taring process is automatically started. „0-t“ is displayed.

A rectangular display box containing the text "0-t" in a large, black, monospaced font.

⇒ Confirm selected reference number of items by pressing the **PRINT** button.

A rectangular display box containing the text "LoAd 10" in a large, black, monospaced font.

⇒ Place as many pieces to add-up as required by the set reference piece number.

⇒ Acknowledge using **PRINT** button and wait for standstill control.

After successful reference determination the current quantity is displayed.

A rectangular display box containing the text "\* PC 10" in a large, black, monospaced font.

⇒ Remove reference weight. The balance is now in parts counting mode counting all units on the weighing plate.



If it was impossible to determine a reference due to instable goods to be weighed or an insufficient reference weight, the following display will appear during reference calculation.

- ⇒ **ERR04** = smallest counting weight not achieved
- ⇒ **Add SMP**=if the placed quantity for a correct reference determination is too small, more parts must be placed as follows.



- ⇒ Place more parts, but at least the double quantity.
- ⇒ Press the **PRINT** button, the reference weight is calculated anew.



The placed quantity is always too small, add more parts and acknowledge using the **PRINT** button. Repeat the procedure until the piece counter display appears.



Placed quantity sufficient for reference determination. Remove reference weight. The balance is now in parts counting mode counting all units on the weighing plate.

### Return to weighing mode

- ⇒ Press the **ON/OFF** key.



### 10.1.1 Switching over between quantity and weight display

⇒ Place load on pan and read the number of pieces.



⇒ Press **MENU** button, the total weight of the placed parts is displayed.

**or**

⇒ Press the **MENU** button and keep it pressed until the acoustic signal gets mute, the average weight of a single piece is displayed.

⇒ Back to quantity display press **MENU** button again.

### 10.1.2 Automatic reference optimization

In order to improve the counting exactness, the reference can be optimised by adding more pieces. At every reference optimisation, the reference weight is calculated anew. As the additional pieces increase the base for the calculation, the reference also becomes more exact.

⇒ Leave the piece number on the weighing plate after setting the reference weight

⇒ Duplicate the number of pieces on the weighing plate and wait until the acoustic signal sounds. The reference weight is calculated anew.

⇒ Either repeat the reference optimisation by adding more pieces (max. 255 pieces) or start the counting process.



The automatic reference optimisation is not active when the reference weight is entered numerically.

### 10.1.3 Numeric entering of the reference weight

If you know the reference weight/piece you can enter this via the numeric keyboard.

⇒ In weighing mode press **MENU** button. The first menu item „count“ is displayed.

A rectangular digital display showing the word "Count" in a large, black, monospace font.

⇒ Acknowledge using **PRINT** button, the current reference quantity is displayed.

A rectangular digital display showing "SNPL" on the left and "10" on the right, both in a large, black, monospace font.

⇒ Press the arrow buttons **↓** **↑** to select the parameters manually.

A rectangular digital display showing the word "MANUAL" in a large, black, monospace font.

⇒ Acknowledge using **PRINT** button

⇒ Press the arrow buttons **↓** **↑** **←** to enter the known reference weight.

⇒ If using a weighing container, put this before pressing the **PRINT** button. The taring process is automatically started. „0-t“ is displayed.

A rectangular digital display showing "0-t" in a large, black, monospace font.

⇒ Place load on pan and read the number of pieces.

A rectangular digital display showing "30" in a large, black, monospace font. To the left of the number is an asterisk (\*), and below the number is the label "PC".

⇒ Press **MENU** button, the total weight of the placed parts is displayed.

A rectangular digital display showing "170.30(8) g" in a large, black, monospace font. To the left of the number is an asterisk (\*).

⇒ Back to quantity display press **MENU** button again.

#### Return to weighing mode

⇒ Press the **ON/OFF** key

A rectangular digital display showing "0.000 g" in a large, black, monospace font. To the left of the number is an asterisk (\*) and a small circle (O).

## 10.2 Density determination (Hydrostatic weighing)

Density is the relationship of weight [g] : volume [cm<sup>3</sup>]. The weight is determined by weighing the sample in air. The volume results from the ascending force [g] of the sample dipped in a liquid. The density [g/cm<sup>3</sup>] of that liquid is known (principle of Archimedes).

The density is determined with help of the underfloor weighing device.

### 10.2.1 Density determination of solids

Prepare the balance as follows:

- Switch off the balance
- Remove the weighing pan and carefully turn over the weighing balance.
- Screw-in hook for underfloor weighing (option)
- Place weighing balance over an opening
- Hook-in the sample support
- Fill measuring liquid in a vessel e.g. beaker) and temper it.

⇒ In weighing mode press **MENU** button. The first menu item „count“ is displayed.

⇒ Press **MENU** button

⇒ Acknowledge using **PRINT** button, the current setting is displayed.

⇒ Using **MENU** button select „d SoLid“

⇒ Confirm by pressing the **PRINT** button.

⇒ Use the arrow buttons **↓** **↑** **←** to enter density of the measuring fluid.

⇒ Confirm input by pressing the **PRINT** button.

⇒ The display for weight determination of the "sample in air" appears.

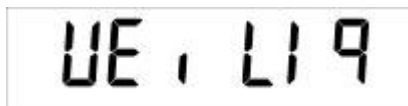


⇒ Confirm by pressing the **PRINT** button.

⇒ If necessary, tare and put the sample.

⇒ Wait until the weight display of the weighing balance has become stable and then press the **PRINT** button. „WEI AIR“ appears flashing.

⇒ The display for weight determination of the "sample in the measuring fluid" appears.



⇒ Acknowledge using **PRINT** button

⇒ Immerse sample holder and tare by pressing the **TARE**-key

⇒ Place sample and immerse it

Make sure that the sample holder does not touch the beaker.

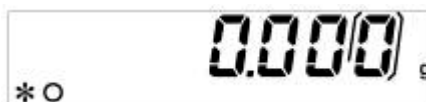
⇒ Wait until the weight display of the weighing balance has become stable and then press the **PRINT** button. „WEI LIQ“ appears flashing.

⇒ The density of the sample is shown



### Return to weighing mode

⇒ Press the **ON/OFF** key



⇒ or use the **MENU** button to start a new measuring cycle.

If at the density determination errors have appeared, „d-----“, is displayed.

**i**





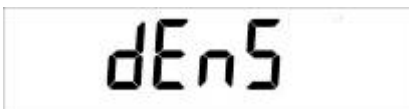
## 10.2.2 Determining density of liquids

- ⇒ Fill sample liquid into a vessel, e.g. a pitcher.
- ⇒ Heat sample liquid until temperature is constant.
- ⇒ Prepare a glass sinker with known density
- ⇒ In weighing mode press **MENU** button. The first menu item „count“ is displayed.



A digital display showing the word "Count" in a monospaced font.

- ⇒ Press **MENU** button



A digital display showing "dEn5" in a monospaced font.

- ⇒ Acknowledge using **PRINT** button, the current setting is displayed.
- ⇒ Using **MENU** button select „d Liquid“



A digital display showing "dL 19U 1d" in a monospaced font.

- ⇒ Confirm by pressing the **PRINT** button.



A digital display showing "d5 3.0000" in a monospaced font.

- ⇒ Use the arrow buttons ↓ ↑ ← to enter density of the glass sinker.
- ⇒ Confirm input by pressing the **PRINT** button.

⇒ The display for weight determination of the "glass sinker in air" appears.



- ⇒ Confirm by pressing the **PRINT** button.
- ⇒ Tare if necessary and hook on the glass sinker centrally.
- ⇒ Wait until the weight display of the weighing balance has become stable and then press the **PRINT** button. „WEI AIR“ appears flashing.
- ⇒ The display for weight determination of the "glass sinker in sample liquid" appears.



- ⇒ Acknowledge using **PRINT** button
- ⇒ Tare if necessary and immerse the sinker into the measuring fluid
- ⇒ Wait until the weight display of the weighing balance has become stable and then press the **PRINT** button. „WEI LIQ“ appears flashing.
- ⇒ The density of the sample fluid is shown



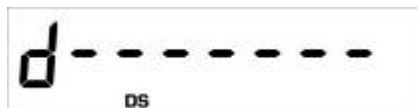
### Return to weighing mode

⇒ Press the **ON/OFF** key



⇒ or use the **MENU** button to start a new measuring cycle.

If at the density determination errors have appeared, „d-----“, is displayed.



### 10.3 Adding function

This function can be used to automatically add any number of single weighings to a total.

- ⇒ Press repeatedly the **MENU** button in weighing mode until „add“ will be displayed.

A rectangular box containing the word "Add" in a large, black, monospace-style font.

- ⇒ Confirm by pressing the **PRINT** button  
The balance will tare automatically and then will change to the zero display

A rectangular box containing the text "0-t" in a large, black, monospace-style font.

A rectangular box containing the text "0.0000" in a large, black, monospace-style font, followed by a small "g" to the right. A downward-pointing arrow is positioned above the text. In the bottom-left corner of the box, there is a small "\* O" symbol.

- ⇒ Deposit weight A.

A rectangular box containing the number "180.688" in a large, black, monospace-style font.

(Example)

- ⇒ Confirm by pressing the **PRINT** button  
The displayed value is added into the total adding memory, after that the balance will automatically tare anew and change over to the zero display

A rectangular box containing the text "0-t" in a large, black, monospace-style font.

A rectangular box containing the text "0.0000" in a large, black, monospace-style font, followed by a small "g" to the right. A downward-pointing arrow is positioned above the text. In the bottom-left corner of the box, there is a small "\* O" symbol.

- ⇒ Put on weight B.

A rectangular box containing the number "8.0000" in a large, black, monospace-style font.

(Example)

- ⇒ Confirm by pressing the **PRINT** button

The displayed value is added into the total adding memory, after that the balance will automatically tare anew and change over to the zero display



0-t



\*O 0.000 g

- ⇒ Proceed in the same manner with the other weights
- ⇒ To print out the total sum of the single weighings, press the **CAL** button

- ⇒ Press the **MENU** button, the sum of all single weighings will be displayed.



t 188.688

- ⇒ Press the **MENU** button again, the number of weighings will be displayed



n 2

- ⇒ Leave the function via the **ON/OFF** button and return to the weighing mode

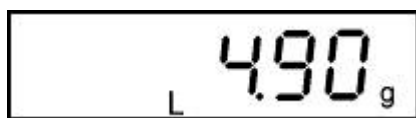


\*O 0.000 g

## 10.4 Checkweighing

An upper and a lower limit value can be established to ensure that the weighed goods are exactly within the established tolerance limits.

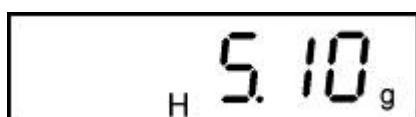
The display [L], [ok] or [H] shows whether the goods to be weighed are within the two tolerance limits.



Goods to be weighed below tolerance limit



Goods to be weighed within tolerance range



Goods to be weighed above tolerance limit

The indetermination if the goods to be weighed are within the tolerance limits, can additionally be given by an acoustic signal.

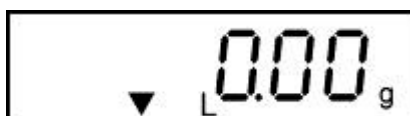
⇒ In weighing mode press **MENU** button. The first menu item „count“ is displayed.



⇒ Press **MENU** button repeatedly

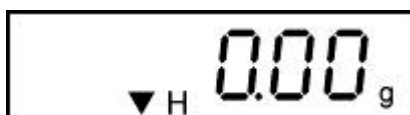


⇒ Confirm using the **PRINT** button, the display to enter the lower tolerance limit appears.



⇒ Enter the lower limit value using the arrow buttons ↓ ↑ ←

⇒ Confirm using the **PRINT** button, the display to enter the upper tolerance limit appears.



⇒ Enter the upper limit value using the arrow buttons ↓ ↑ ←

⇒ Confirm using the **PRINT** button, the display to adjust the signal tone appears.

⇒ Select the desired settings by pressing the **MENU** button

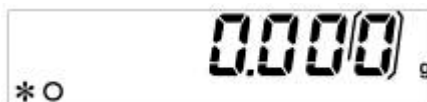
**Beep off** Signal tone switched off

**Beep on** Signal tone on, if weighed goods are within tolerance range

- ⇒ Confirm by pressing the **PRINT** button.  
The balance is now in checkweighing mode.
- ⇒ Put on goods to be weighed, tolerance control is started

**Return to weighing mode**

- ⇒ Press the **ON/OFF** key



## 10.5 Percent determination

Percent determination allows weight display in percent, in relation to a reference weight.

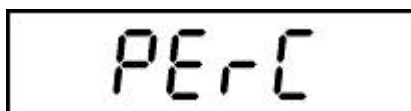
### 10.5.1 Entering the reference weight by weighing

⇒ In weighing mode press **MENU** button. The first menu item „count“ is displayed.



A digital display showing the word "Count" in a large, black, monospaced font.

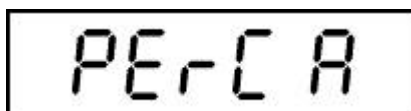
⇒ Press **MENU** button repeatedly



A digital display showing the word "PERC" in a large, black, monospaced font.

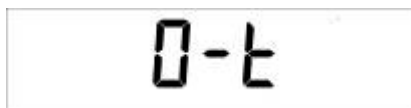
⇒ Acknowledge using **PRINT** button, the current setting is displayed.

⇒ Using **MENU** button select „PERC A“

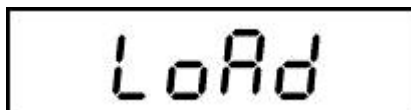


A digital display showing the text "PERC A" in a large, black, monospaced font.

⇒ If using a weighing container, put this before pressing the **PRINT** button. The taring process is automatically started. „0-t“ is displayed.



A digital display showing the text "0-t" in a large, black, monospaced font.



A digital display showing the text "LoAd" in a large, black, monospaced font.

⇒ Put on reference weight (=100 %)

⇒ Wait until the weight display of the balance has become stable and then press the **PRINT** button. The weight is adopted as reference (100%).



A digital display showing the number "100.00" in a large, black, monospaced font, with a small percentage symbol (%) centered below the second zero.

⇒ Remove reference weight. From now the balance is in percent determining mode.

⇒ Place goods to be weighed on balance.  
The weight of the sample is displayed in percentage in terms of the reference weight.

## 10.5.2 Numeric entering of the reference weight

⇒ In weighing mode press **MENU** button. The first menu item „count“ is displayed.

A rectangular digital display showing the word "Count" in a large, black, monospace font.

⇒ Press **MENU** button repeatedly

A rectangular digital display showing the word "PERC" in a large, black, monospace font.

⇒ Acknowledge using **PRINT** button, the current setting is displayed.

⇒ Using **MENU** button select „PERc n“

A rectangular digital display showing the text "PERc n" in a large, black, monospace font.

⇒ Confirm using the **PRINT** button, the display to enter the reference weight appears.

A rectangular digital display showing "0.00" in a large, black, monospace font. Below the "0.00" is a small percentage sign (%). To the left of the "0.00" is a small downward-pointing arrow (▼). To the right of the "0.00" is a small "g".

⇒ Press the arrow buttons **↓** **↑** **←** to enter the reference weight (100%).

⇒ Confirm input by pressing the **PRINT** button. From now the balance is in percent determining mode.

A rectangular digital display showing "0.0" in a large, black, monospace font. Below the "0.0" is a small percentage sign (%).

⇒ Place goods to be weighed on balance.

The weight of the sample is displayed in percentage in terms of the reference weight.

### Return to weighing mode

⇒ Press the **ON/OFF** key

A rectangular digital display showing "0.000" in a large, black, monospace font. To the right of the "0.000" is a small "g". To the left of the "0.000" is a small asterisk (\*) and a small circle (○).



## 10.6 Animal weighing function

The animal weighing function can be applied for busy weighings. During a defined period the mean value of the weighing results is formed.

The more unquiet the weighed item, the longer the period should be selected.

⇒ In weighing mode press **MENU** button. The first menu item „count“ is displayed.



⇒ Press **MENU** button repeatedly

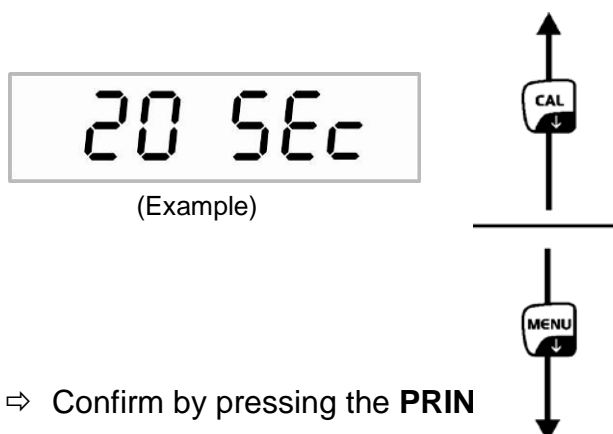


⇒ Acknowledge using **PRINT** button, the current setting is displayed.

⇒ Press the arrow keys **↓** **↑** to select desired setting.

Scroll forward using **MENU** button

Scroll backward using **CAL** button



⇒ Confirm by pressing the **PRIN**

⇒ Tare the balance if necessary

⇒ Put the weighing good (animal) on the weighing plate and press the **PRINT** button. In the display runs a „Countdown“.

The average value of the weighing results is displayed and remains displayed on the screen.



⇒ In order to carry out an other measurement, press the **ON/OFF** button 1x

**Return to weighing mode:**

⇒ Press the **ON/OFF** key 2x



## 10.7 Peak value function

This function displays the highest load value (peak value) of a weighing. The peak value remains in the display until it will be deleted.

⇒ In weighing mode press **MENU** button. The first menu item „count“ is displayed.

A rectangular digital display showing the word "Count" in a large, black, monospace-style font.

⇒ Press **MENU** button repeatedly

A rectangular digital display showing "n Load" in a large, black, monospace-style font.

⇒ Confirm using **PRINT** button, the taring process is automatically started. „0-t“ is displayed.

From here the balance is in peak value mode, where a „M“ pops up.

A rectangular digital display showing "n 0.000 g" in a large, black, monospace-style font. A small "M" icon is visible in the top left corner of the display area.

⇒ Load weighing plate. The maximum load value is displayed.

A rectangular digital display showing "n 68.984 g" in a large, black, monospace-style font. A small "M" icon is visible in the top left corner of the display area.

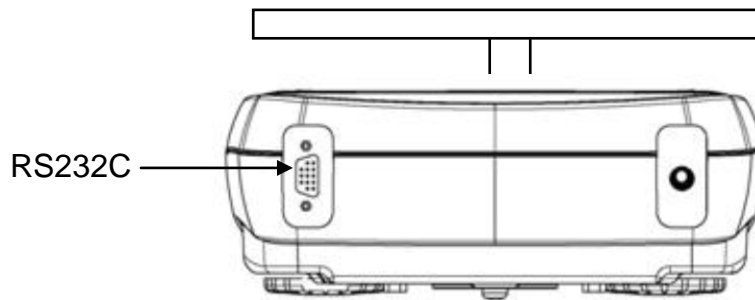
⇒ The peak value remains in the display until the **TARE** button is pressed. Then the balance is ready for further measurements.

### Return to weighing mode

⇒ Press the **ON/OFF** key

A rectangular digital display showing "0.000 g" in a large, black, monospace-style font. A small "M" icon is visible in the top left corner of the display area.

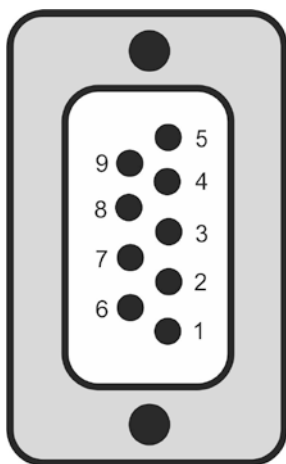
## 11 Data output RS 232C



### 11.1 Technical Data

- 8-bit ASCII Code
- 8 data bits, 1 stop bit, no parity bit
- Baud rate optional from 1200 - 9600 Baud
- For operation with interface faultless operation is only ensured with the correct KERN – interface cable (max. 2m)

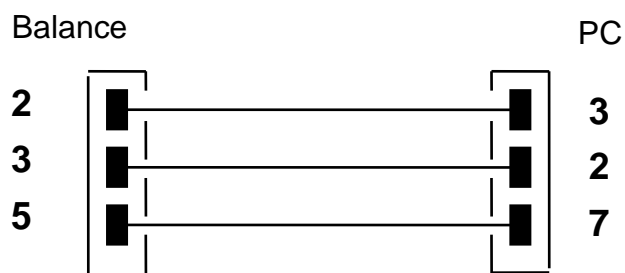
### 11.2 Pin allocation of balance output plug



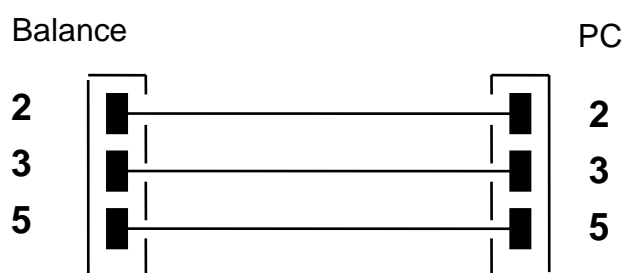
Pin 2	Tx Signal
Pin 3	Rx Signal
Pin 5	GND

## 11.3 Interface

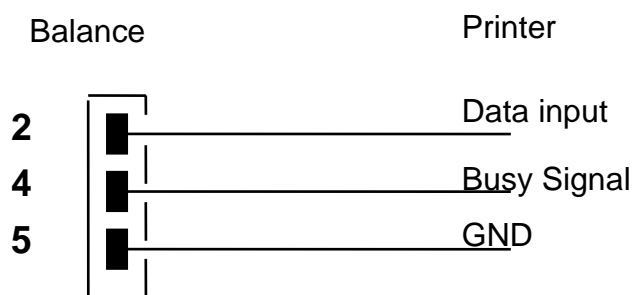
- Balance – PC 25-pole



- Balance – PC 9-pole



- Balance - printer



## 11.4 Data transfer

The data set consists of the following 14 characters:

1. Character	sign -/ blank (weighing value)
2-9. Character	weight or other data
10-12. Character	weighing unit
13. Character	stability display
14. Character	carriage return
15. Character	line feed

## 11.5 Format for data transmission

At stable weight the format is transferred after pressing the **PRINT** button.

**Weighing mode** (continuous output and remote control command)

1°	2°	3°	4°	5°	6°	7°	8°	9°	10°	11°	12°	13°	14°	15°r
Character	Weight							Weighing unit			Stability	CR	LF	

**Density determination** (only remote control command)

1°	2°	3°	4°	5°	6°	7°	8°	9°	10°	11°	12°	13°	14°	15°	16°	17°
d	=	Density				Blank		Weighing unit					CR	LF		

**Counting** (only remote control command)

Number of pieces

1°.	2°	3°	4°	5°	6°	7°	8°	9°	10°	11°	12°	13°	14°	15°	16°
Pcs		:	Blank				Quantity								

Weight of placed pieces

1°.	2°	3°	4°	5°	6°	7°	8°	9°	10°	11°	12°	13°	14°	15°	16°	17°	18°	19°	20°
Weight						:	space	Measuring Value						space	g	space	S		

Average parts weight

1°.	2°	3°	4°	5°	6°	7°	8°	9°	10°	11°	12°	13°	14°	15°	16°	17°	18°
PMU average piece weight		:	Blank				Measuring Value						space	g			

**Percent determination** (only remote control command)

Percent value

1°	2°	3°	4°	5°	6°	7°	8°	9°	10°	11°	12°	13°	14°	15°	16°	17°	18°
Percent				.	Blank			Percent							Blank	%	

Weight value

1°	2°	3°	4°	5°	6°	7°	8°	9°	10°	11°	12°	13°	14°	15°	16°	17°	18°
Weight						Blank		Weight value						Blank	g		

**Animal weighing** (only remote control command)

Time

1°	2°	3°	4°	5°	6°	7°	8°	9°	10°	11°	12°	13°	14°	15°	16°	17°	18°
Time				Blank	=	Blank		Time value		Sec.			Blank				

Average value

1°	2°	3°	4°	5°	6°	7°	8°	9°	10°	11°	12°	13°	14°	15°	16°	17°	18°
Average		.	=	Blank				Average Weight value					Blank		g		

## 11.6 Remote control instructions

Instruction:	Function
"T" = H54	Taring
"C" = H43	Adjustment
"E" = H45	Enter
"M" = H4D	Menu
"O" = H4F	ON/OFF

## 11.7 Printer mode

The following conditions must be met to provide successful communication between the weighing balance and the printer.

- Use a suitable cable to connect the weighing balance to the interface of the printer. Faultless operation requires an adequate KERN interface cable.
- The Baud rates of balance and printer must agree, see chap. 9.3.

### Printout examples:

#### Weighing mode/peak value function

.....	22.000 g
-------	----------

#### Density determination

d= 2.80066 g/cm <sup>3</sup> d
--------------------------------

d            Measuring value „Density“

#### Parts counting

Pcs	100
Weight:	300.000 g
PMU:	3.000 g

PCS            Number of pieces

Weight        Weight of placed pieces

PMU            Average parts weight

## Percent determination

Perc.	20 %
Weight:	30.000 g

Perc      Display value in [%]

Weight    Display value in [g]

## Animal weighing mode



Time	6 Sec
Ave.:	59.446 g

## Add-up mode

1.	14.156 g
2.	18.226 g
<hr/>	
S=	32.382 g



## 12 Error messages

ERR01	Weight value instable or zeroing not possible. Check the environmental conditions.
ERR02	Adjustment error, e.g. environmental conditions instable
ERR03	Adjustment error e.g. incorrect adjustment weight}
ERR04	Piece weight too small/instable
ERR05	Data transfer not possible, as weighing value is instable. Check the environmental conditions.
ERR06	Weighing value in density determining mode instable. Check the environmental conditions.
ERR07	Incorrect data reading (piece counting, density determination,...)
ERR08	Error at internal adjustment
“UNLOAD”:	Weighing range not achieved. Check position of the weighing plate
“CAL But”	Adjust balance
	Weighing range exceeded, placed load exceeds the capacity of the balance. Unload the balance.
	Weighing range not reached, e.g. weighing plate not in place

## 13 Service, maintenance, disposal

### 13.1 Cleaning

Before cleaning, please disconnect the appliance from the operating voltage.

Please do not use aggressive cleaning agents (solvents or similar agents), but a cloth dampened with mild soap suds. Ensure that no liquid penetrates into the device and wipe with a dry soft cloth.

Loose residue sample/powder can be removed carefully with a brush or manual vacuum cleaner.

**Spilled weighing goods must be removed immediately.**

### 13.2 Service, maintenance

The appliance may only be opened by trained service technicians who are authorized by KERN.

Before opening, disconnect from power supply.

### 13.3 Disposal

Disposal of packaging and appliance must be carried out by operator according to valid national or regional law of the location where the appliance is used.

## 14 Instant help

In case of an error in the program process, briefly turn off the balance and disconnect from power supply. The weighing process must then be restarted from the beginning.

Help:

### Fault

### Possible cause

The displayed weight does not glow.

- The balance is not switched on.
- The mains supply connection has been interrupted (mains cable not plugged in/faulty).
- Power supply interrupted.
- (Rechargeable) batteries are inserted incorrectly or empty
- No (rechargeable) batteries inserted.

The displayed weight is permanently changing

- Draught/air movement
- Table/floor vibrations
- Weighing plate has contact with other objects.
- Electromagnetic fields / static charging (choose different location/switch off interfering device if possible)

The weighing result is obviously incorrect

- The display of the balance is not at zero
- Adjustment is no longer correct.
- Great fluctuations in temperature.
- Warm-up time was ignored.
- Electromagnetic fields / static charging (choose different location/switch off interfering device if possible)

Should other error messages occur, switch balance off and then on again. If the error message remains inform manufacturer.

# 15 Declaration of Conformity



**KERN & Sohn GmbH**

D-72322 Balingen-Frommern

Postfach 4052

E-Mail: [info@kern-sohn.de](mailto:info@kern-sohn.de)

Tel: 0049-[0]7433- 9933-0

Fax: 0049-[0]7433-9933-149

Internet: [www.kern-sohn.de](http://www.kern-sohn.de)

## Declaration of Conformity

**EC-Konformitätserklärung**  
**EC- Déclaration de conformité**  
**EC-Dichiarazione di conformità**  
**EC- Declaração de conformidade**  
**EC-Deklaracja zgodności**

**EC-Declaration of -Conformity**  
**EC-Declaración de Conformidad**  
**EC-Conformiteitverklaring**  
**EC- Prohlášení o shode**  
**ЕС-Заявление о соответствии**

<b>D</b>	Konformitäts- erklärung	Wir erklären hiermit, dass das Produkt, auf das sich diese Erklärung bezieht, mit den nachstehenden Normen übereinstimmt.
<b>GB</b>	Declaration of conformity	We hereby declare that the product to which this declaration refers conforms with the following standards.
<b>CZ</b>	Prohlášení o shode	Tímto prohlašujeme, že výrobek, kterého se toto prohlášení týká, je v souladu s níže uvedenými normami.
<b>E</b>	Declaración de conformidad	Manifetamos en la presente que el producto al que se refiere esta declaración está de acuerdo con las normas siguientes
<b>F</b>	Déclaration de conformité	Nous déclarons avec cela responsabilité que le produit, auquel se rapporte la présente déclaration, est conforme aux normes citées ci-après.
<b>I</b>	Dichiarazione di conformità	Dichiariamo con ciò che il prodotto al quale la presente dichiarazione si riferisce è conforme alle norme di seguito citate.
<b>NL</b>	Conformiteit- verklaring	Wij verklaren hiermede dat het product, waarop deze verklaring betrekking heeft, met de hierna vermelde normen overeenstemt.
<b>P</b>	Declaração de conformidade	Declaramos por meio da presente que o produto no qual se refere esta declaração, corresponde às normas seguintes.
<b>PL</b>	Deklaracja zgodności	Niniejszym oświadczamy, że produkt, którego niniejsze oświadczenie dotyczy, jest zgodny z poniższymi normami.
<b>RUS</b>	Заявление о соответствии	Мы заявляем, что продукт, к которому относится данная декларация, соответствует перечисленным ниже нормам.

### Electronic Balance: KERN ALS, ALJ, PLS, PLJ, PLJ-M

EU Directive	Standards
2004/108/EC	EN 61326-1 (2006) EN 61000-3-2 (2006) EN 61000-3-3 (1995) + A1 (2001) + A2 (2005)
2006/95/EC	EN 61010-1 (2001)

**Datum** 21.03.2013  
*Date*

**Ort der Ausstellung** 72336 Balingen  
*Place of issue*

**Signatur**  
*Signature*

Albert Sauter  
 KERN & Sohn GmbH  
**Geschäftsführer**  
*Managing director*

KERN & Sohn GmbH, Ziegelei 1, D-72336 Balingen, Tel. +49-[0]7433/9933-0  
 Fax +49-[0]7433/9933-149, E-Mail: [info@kern-sohn.com](mailto:info@kern-sohn.com), Internet: [www.kern-sohn.com](http://www.kern-sohn.com)