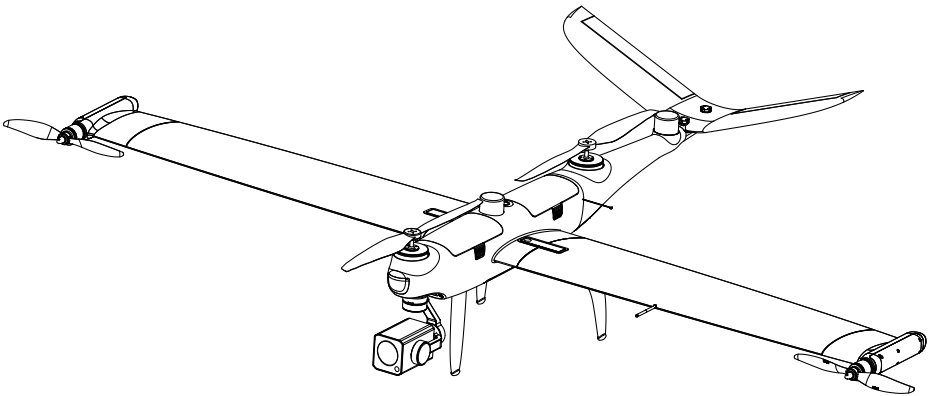


Dragonfish Lite

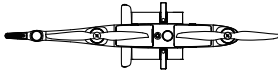


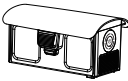
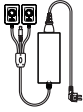
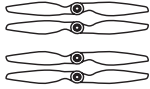


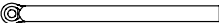

Quick Start Guide



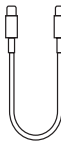
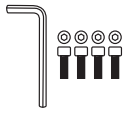



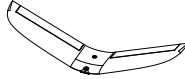
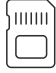



CONTENTS

Item list01
Getting to know the aircraft03
Getting to know the mobile ground station04
Getting to know the base station04
Using the Dragonfish Lite aircraft05
Charging05
Setting up the base station06
Assembling the aircraft07
Powering on Activating the aircraft09
Powering on the base station09
Powering on the ground station09
Powering on the aircraft09
Activating the aircraft09
Flight09
Activating the aircraft09
Automatic takeoff10
Specifications11

Item list

	Aircraft body	1pc
	9.7 inch ground station	1pc
	Base station	1pc
	Battery	4pcs (the actual quantity is subject to the purchased set)
	Charger + AC line	1pc
	Propeller blades	2pairs
	Base station antenna	2pcs
	Base station feeder	2pcs
	Airspeed indicator cover	1pc
	Base station tray	1pc

	<p>Base station tripod</p>	<p>1pc</p>
	<p>Base station charger</p>	<p>1pc</p>
	<p>USB Type-C cable</p>	<p>1pc</p>
	<p>Repair tool kit</p>	<p>1pc</p>
	<p>Gimbal Camera</p>	<p>1pc (The gimbal model is subject to the actual set purchased)</p>
	<p>Wing set</p>	<p>1pairs</p>
	<p>Ground station lanyard</p>	<p>1pc</p>
	<p>Tail</p>	<p>1pc</p>
	<p>TF card</p>	<p>1pc</p>
	<p>Documentation</p>	<p>1set (includes Dragonfish Lite, Base station, Charger, Battery quick guide, Disclaimer)</p>

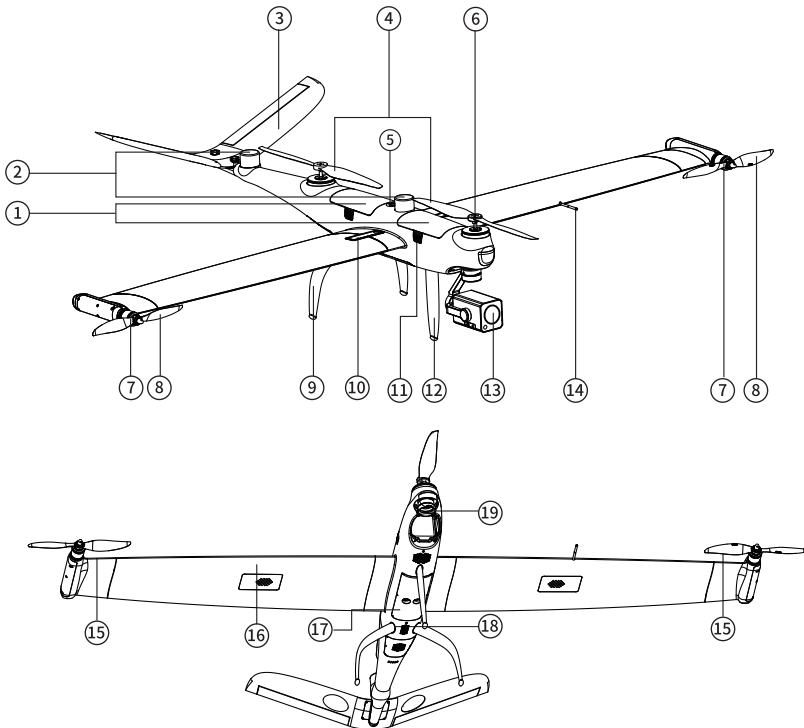
Getting to know the aircraft

The Dragonfish Lite aircraft integrates intelligent and superior flight control technology, gimbal technology, and imaging technology. The aircraft boasts a new tilt rotor design that combines the efficiency of fixed-wing aircraft endurance with the takeoff convenience of traditional multi-rotor drones. A 5 second self-check system ensures the aircraft is safe and ready for operation. It can be assembled quickly, enabling set up and take-off in a matter of minutes.

The Dragonfish Lite offers a maximum flight time of up to 81 minutes and a video transmission range of 30 km. It comes built in with a range of intelligent features such as automatic take-off and landing, intelligent tracking, terrain follow and more.

Tough and reliable, the Dragonfish Lite has an IP43 protection rating to enable operations across a variety of terrains. It also features a modular payload mount with an integrated quick release function that enables operators to mount a dual sensor, a triple sensor, or a multispectral payload effortlessly to suit mission needs.

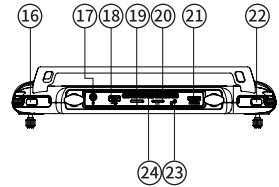
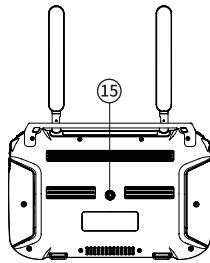
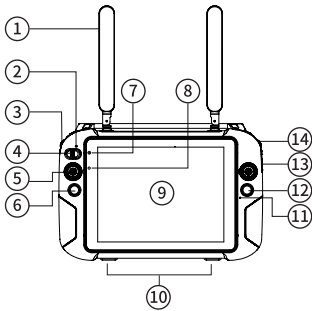
Alongside the aircraft is a GNSS Base Station and the integrated, Dual RTK modules that equip the aircraft with additional redundancy. This allows the Dragonfish Lite to fly confidently in complex environments while capturing precise, centimeter-accurate data.



- ① Smart battery
- ② RTK antenna
- ③ Horizontal stabilizer
- ④ Propeller blades
- ⑤ Power button/ indicator
- ⑥ Body motor
- ⑦ Wing motor
- ⑧ Wingtip propellers
- ⑨ Rear landing gear
- ⑩ Wing lock
- ⑪ Battery release button
- ⑫ Front landing gear
- ⑬ Gimbal camera
- ⑭ Airspeed sensor
- ⑮ Tilting wingtip
- ⑯ GPS module
- ⑰ Ultrasonic Positioning Sensors
- ⑱ Dust Net
- ⑲ Gimbal installation interface

Getting to know the portable ground station

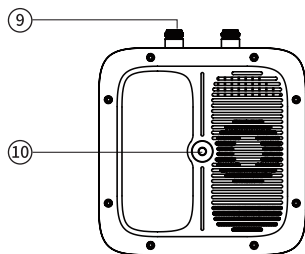
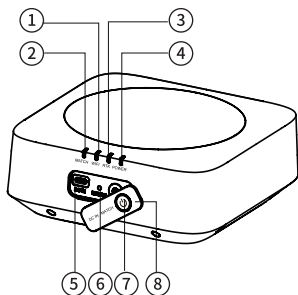
The Dragonfish Lite is equipped with a 9.7-inch TFT-LCD touch screen (2048*1536). It offers a brightness of 1000 cd/m², making it almost twice as bright as typical mobile devices. The screen can display images clearly even in direct sunlight, and a built-in 256G memory makes it convenient for storing all your critical data. With an image transmission range of 30km and a battery life of 4.5 hours, the ground station guarantees optimal performance and reliability.



- ① Antenna
- ② Mode switch indicator
- ③ Gimbal pitch control wheel
- ④ Manual/Auto mode switch key
- ⑤ Joystick
- ⑥ Home button
- ⑦ Power status indicator
- ⑧ Light perception sensor
- ⑨ Touch screen
- ⑩ Hooks (for lanyard support)
- ⑪ Microphone
- ⑫ Photo/Video button
- ⑬ Zoom button
- ⑭ Gimbal level control dial
- ⑮ Tripod mounting interface
- ⑯ Power button
- ⑰ Charging port
- ⑱ USB port
- ⑲ SD card slot
- ⑳ SIM card slot
- ㉑ HDMI port
- ㉒ Custom buttons
- ㉓ Headphone jack
- ㉔ Air outlet

Getting to know the base station

The Dragonfish base station is a high-precision satellite signal receiver that supports GPS, Beidou, Galileo and GLONASS navigation systems. It can be used across a variety of applications and environments. The base station and the integrated, Dual RTK modules equip the aircraft with additional redundancy and positioning accuracy to provide precise, centimeter accurate data. It also enables the Dragonfish Lite to withstand signal interference in strong magnetic environments such as power lines and near buildings.



- ① WiFi indicator
- ② Linking indicator
- ③ RTK indicator
- ④ Power indicator

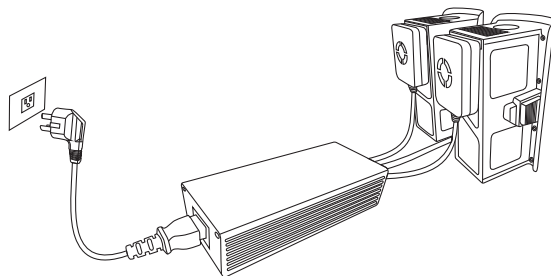
- ⑤ Charging port
- ⑥ Frequency button
- ⑦ Power button
- ⑧ Port cover

- ⑨ Antenna interface
- ⑩ Tripod interface

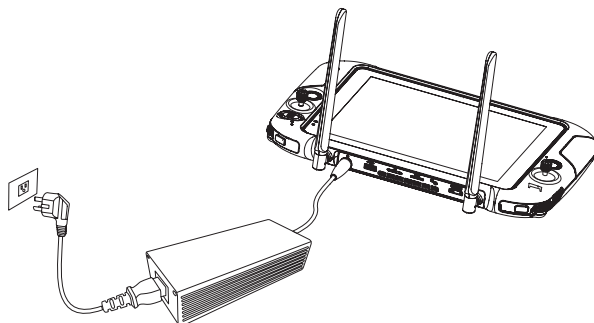
Using the Dragonfish Lite

Charging

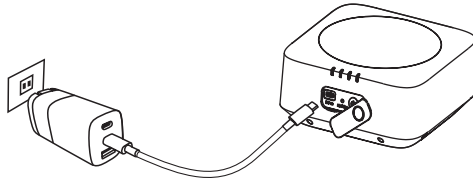
1. Charging the Intelligent flight battery



2. Charging the ground station

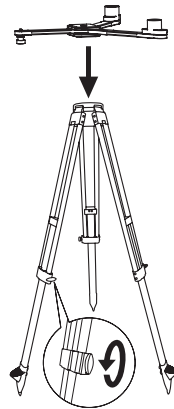
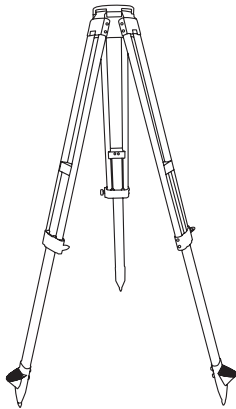


3.Charging the base station

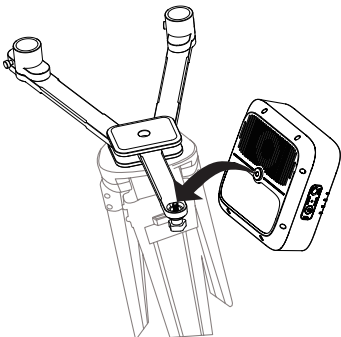


Setting up the base station

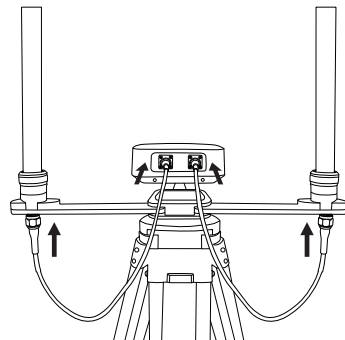
1.Unfold the tripod, install the base station tray, and lock the tray.



2.Install the base station body to the tray and tighten the lock on the tray nut. Ensure that the base station is level and stable.

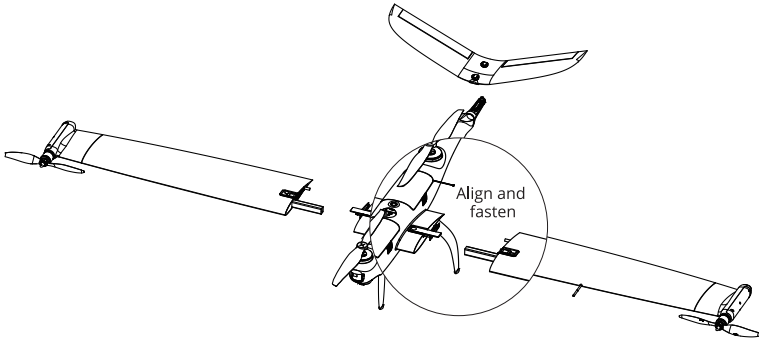
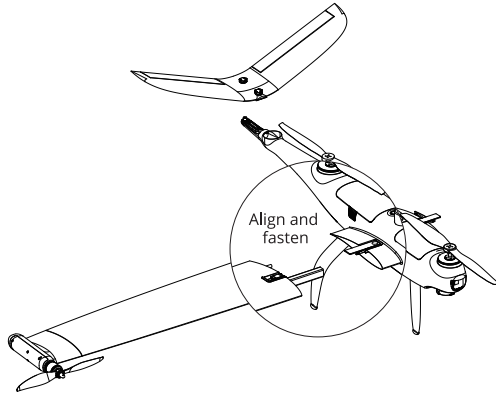


3.Install the antenna on the tripod and connect the antenna feeder to the base station antenna port.

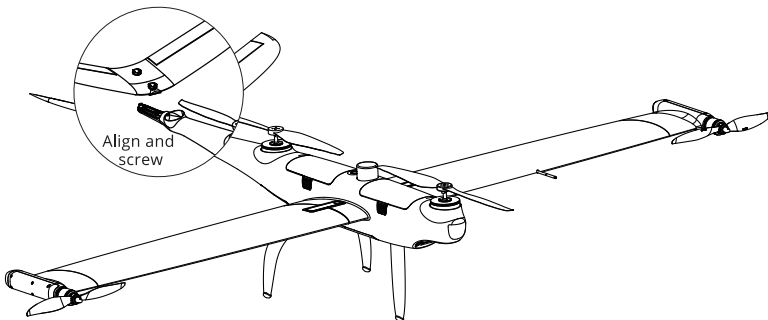


Assembling the aircraft

1. Install the left and right wings

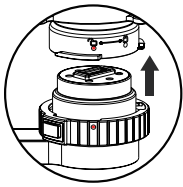


2. Install the tail



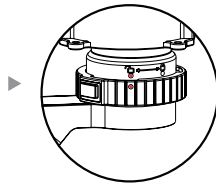
3. Mounting

Align the red dots on the mount with the red dots of the gimbal interface of the fuselage, and rotate the locked position.



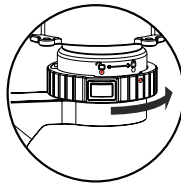
①

Align the top and bottom red dots



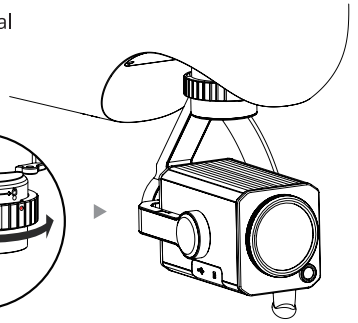
②

Insert the gimbal up vertically into the slot

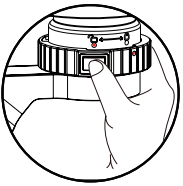


③

Rotate the lock ring to the locked position

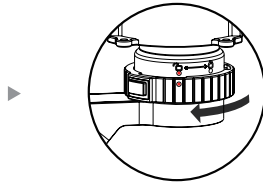


4. Unlock mount



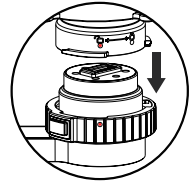
①

Press the unlock button



②

Rotate the lock ring to the unlocked position

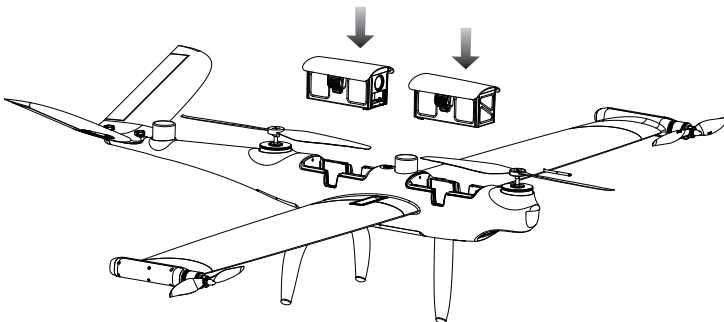


③

Remove mount by lowering vertically down

5. Installing the intelligent Flight Battery

When installing or removing the aircraft battery, be sure to power off the aircraft.

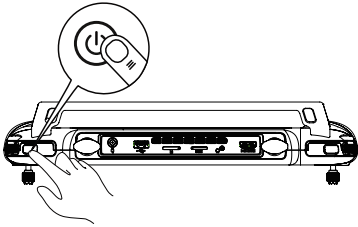


Align the battery to the battery interface on the fuselage and install it.

Powering on | Activating the aircraft

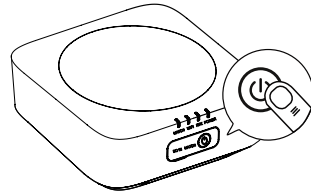
1. Powering on the base station

Short press the power button for 1 second to turn on the base station.



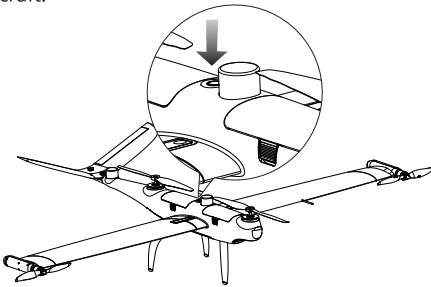
2. Powering on the ground station

Short press the power button for 1 second to turn on the ground station.



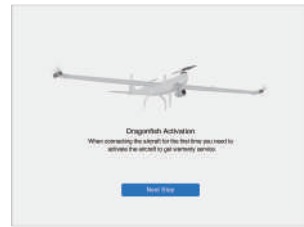
3. Powering on the aircraft

Press the power button on the aircraft body for 3 seconds to power on the aircraft.



4. Activating the aircraft

Open the APP and click the activation button to activate the aircraft.

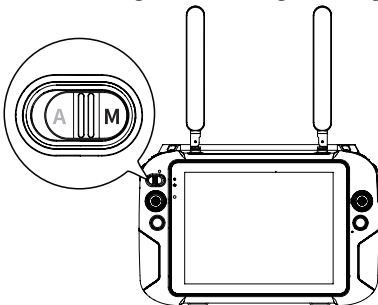


Flight

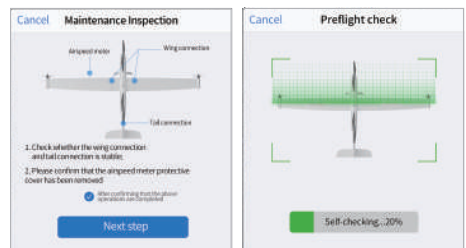
Enter the APP safe flight interface. Before taking off, please place the aircraft on a flat surface with the tail facing towards you.

Manual takeoff

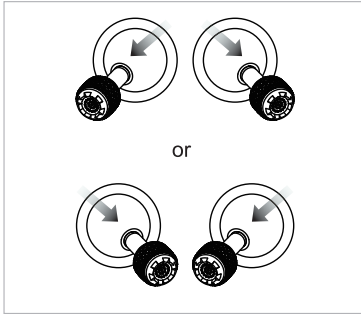
1. Switch the ground station gear to M gear.



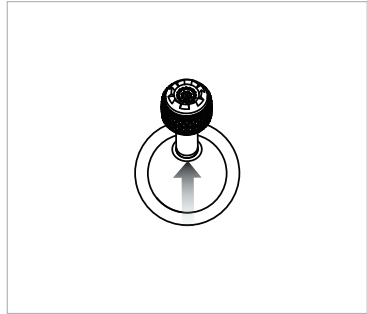
2. Check the aircraft system status.



3. Simultaneously move the joystick inwards or outwards and hold for 2 seconds to arm the motors.



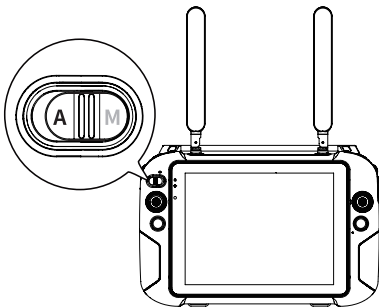
4. Push up the left stick (mode 2) to take off.



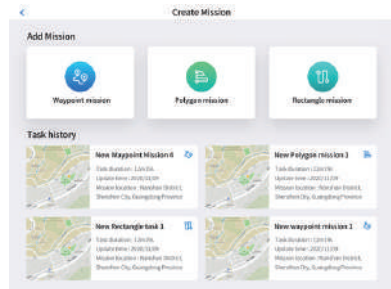
*Manual mode is not recommended for non-professionals.

Automatic takeoff

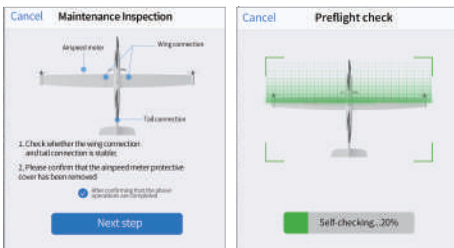
1. Switch the ground station gear to A gear



2. Click the Create Mission button to plan the mission



3. Aircraft system status check



4. Flight interface display



Specifications

Aircraft

Size	1.6*0.965*0.35 m
Weight (including two batteries, without gimbal)	4.5 kg
Single battery weight	0.75 kg
Maximum take-off weight	5.5 kg
Maximum load	1.0 kg
Working frequency	Video Transmission 902-928 MHz (Only for FCC/ISED); 2.4000-2.4835 GHz; 5.150-5.250 GHz (Only for FCC/ISED); 5.725-5.850 GHz Data Transmission 5.729-5.771 GHz
EIRP (Equivalent radiated power)	900MHz FCC/ISED: < 30 dBm; 2.4 GHz FCC/ISED/RCM: < 30 dBm CE: < 20 dBm; 5.2 GHz FCC/ISED: < 25 dBm 5.8 GHz FCC/ISED/RCM: < 26 dBm CE: < 14 dBm
Maximum flight time	81 min
Maximum horizontal flight speed	30 m/s
Maximum ascent speed	Vertical flight mode: 4 m/s Fixed-wing flight mode: 5 m/s
Maximum descent speed (vertical)	Vertical flight mode: 3 m/s Fixed-wing flight mode: 5 m/s
Maximum service altitude	4000 m
Maximum wind resistance	During fixed-wing flight: 15 m/s (level 7 wind) Vertical take-off and landing: 12 m/s (level 6 wind)
Maximum pitch angle	20°
Maximum roll angle	35°
Maximum angular velocity	Pitch: 180° /s Yaw: 60° /s

Working temperature	-20° C to 50° C
Supported Payloads	DG-Z2,T3,T3H,L20T
Supported Gimbal Configurations	Fast Disassembly
Ingress Protection Rating	IP43
GNSS	GPS+GLONASS+BeiDou+Galileo
Hovering accuracy (P-GPS)	Vertical: ±0.1 m (when the visual positioning is working normally) ±0.5 m (when GPS is working normally) ±0.1 m (when RTK positioning is working normally) Horizontal: ±0.3 m (when visual positioning is working normally) ±1.5 m (when GPS is working normally) ±0.1 m (when RTK positioning is working normally)
RTK positioning accuracy	When RTK enabled and fixed: Multi-rotor: 1 cm+1 ppm (Horizontal) 1.5 cm + 1 ppm (Vertical) Fixed Wing: 3 cm+1 ppm (Horizontal) 3 cm + 1 ppm (Vertical)

9.7-inch Ground Control Station Image transmission parameters

Working frequency	902-928 MHz (Only for FCC/ISED); 2.4000-2.4835 GHz; 5.150-5.250 GHz (Only for FCC/ISED); 5.725-5.850 GHz
Maximum transmitting distance (unobstructed, free of interference)	FCC: 10 km CE: 5 km

Digital transmission

Working frequency	5.729-5.771 GHz
-------------------	-----------------

Wi-Fi parameters

Protocol	Wi-Fi Direct; Wireless;
----------	----------------------------

	Display; 802.11a/g/n/ac; Wi-Fi with 2×2 MIMO
Working efficiency	2.400 - 2.4835 GHz 5.150 - 5.250GHz(Only for FCC/ISED) 5.725 - 5.850 GHz

Other parameters

Battery	Name: Lithium polymer Battery Capacity: 8200mAh Voltage: 11.4 V Battery type: Li-Po Energy: 93 Wh Charging time: 120 minutes
Battery life	Approximately 3 hours (maximum brightness) Approximately 4.5 hours (50% brightness)
Storage	ROM 256GB + expandable (support TF card)
Video output interface	HDMI interface
USB-A interface supply voltage/current	5V / 500m A
Working temperature	-20°C to 40°C
Storage temperature	-20°C to 60°C (within one month) -20°C to 45°C (within three months) -20°C to 30°C (within one year)
Charging environment temperature	0°C to 45°C
Satellite positioning module	GPS+GLONASS+Galileo
Size	319×233×74 mm (antenna folded) 319×398×74 mm (antenna expanded)
Weight	1987g

Base station

GNSS receiver

Satellite receiving frequency	Simultaneously receive: GPS: L1, L2, L5 BeiDou: B1, B2, B3 GLONASS: F1, F2 Galileo: E1, E5A, E5B
-------------------------------	--

Positioning accuracy	<p>Single Point Horizontal: 1.5 m (RMS) Vertical: 3.0 m (RMS) RTK Horizontal: 1 cm+1 ppm (RMS) Vertical: 1.5 cm+ 1 ppm (RMS)</p> <p>1 ppm: For every 1 km increase in distance, the accuracy will be 1 mm less. For example, the horizontal accuracy is 1.1 cm when the receiving end is 1 km away from the base station.</p>
Positioning update rate	1Hz, 2 Hz, 5 Hz, 10 Hz 和 20Hz
Cold start	< 40s
Hot Start	< 10s
Recapture Initialization reliability	< 1s
Initialization reliability	> 99.9%
Differential data transmission format	RTCM 2.X/3.X
Data link	Image transmission, Wi-Fi

Electrical characteristics

Power consumption	7.5W
Power supply	5~20V DC
Battery	Type: Lithium polymer battery Capacity: 4950 mAh Energy: 57.1 WH
Runtime	> 7.5h

Physical properties

Dimensions (base station body + extension rod)	193 mm×177 mm×73 mm
Weight	1275g
Ingress protection	IP64
Working temperature	-20°C to 50°C

Image transmission parameters

Working efficiency	902-928 MHz (Only for FCC/ISED); 2.4000-2.4835 GHz; 5.150-5.250 GHz (Only for FCC/ISED); 5.725-5.850 GHz
EIRP (Equivalent radiated power)	900MHz FCC/ISED: < 30 dBm; 2.4 GHz FCC/ISED/RCM: < 30 dBm CE: < 20 dBm; 5.2 GHz FCC/ISED: < 25 dBm 5.8 GHz FCC/ISED/RCM: < 26 dBm CE: < 14 dBm

WIFI parameters

Working efficiency	5.725-5.850GHz
EIRP (Equivalent radiated power)	5.725-5.850GHz FCC/ISED/RCM: < 26 dBm; CE: < 14 dBm
Communication distance	Base station and aircraft: 30km (FCC) Base station and ground station: 200m (FCC) (Unobstructed and free of interference, when the mobile station is used as a base station and the distance from the mobile station antenna to the bottom of the tripod is 2 m; and when the difference in height between the remote controller and mobile station is less than 10 m, and when the remote controller is 1.2 m from ground level)
