

MiniX



The HIKMICRO innovation MiniX is a versatile thermal imaging tool that wirelessly connects to your smart device. The MiniX provides brackets for flexible installation options, such as clipping it onto your phone or tablet for easy one-handed operation, magnetic wall mounting, or tripod installation for long-term temperature monitoring. It features a dual-lens, a high-resolution VOx detector, and a 0.3 MP optical camera for added detail. With SuperIR™ and fusion features, you can capture crisp thermal images and quickly locate hidden problems with accurate temperature measurements. The wide temperature range of -20°C to 550°C makes it ideal for building inspection, HVAC, electrical, and mechanical equipment maintenance. The MiniX has a 25 Hz frame rate for fast inspections and a Wi-Fi function for real-time image sharing. It's a powerful thermography tool that fits in your pocket, ready whenever you need it.

▪Key Features

- Thermal resolution: 256 × 192 (49,152 pixels) , NETD: < 40 mK (@ 25°C, F# = 1.0)
- SuperIR image enhancement technology on live view and captured images
- Wireless connection For iOS and Andriod
- 25 Hz image frequency
- Accuracy: ±2 °C (-20 °C to 100 °C) ; ±2 % (100 °C to 550 °C)
- Accurately measure temperature from -20°C to 550°C (-4°F to 1022°F)
- Thermal, Fusion, PIP, Visual, and Blending modes
- 0.3MP visual camera

• Specification

Infrared Image	
IR Resolution	256 × 192 (49, 152 pixels)
SuperIR	Yes, on captured images and live view
NETD	< 40 mK (@ 25 °C, F#=1.0)
Image Frequency	25 Hz
Detector Pitch	12 μm
Spectral Range	7.5 to 14 μm
Focal Length	3.6 mm
F-number	F1.0
Field of View (FOV)	37.2° × 50.0°
Spatial Resolution (IFOV)	3.33 mrad
Min. Focus Distance	0.05 m (0.164 ft)
Focus Mode	Manual Focus
Image Display	
Visual Camera	640× 480 (0.3 MP)
Color Palettes	White Hot, Black Hot, Rainbow, Ironbow, Red Hot, Fusion, Rain, Blue Red
Image Modes	Thermal/Visual/Fusion/PIP/Blending
Measurement and Analysis	
Object Temperature Range	Range -20°C to 120°C (-4°F to 248°F) Range 100°C to 550°C (212°F to 1022°F)
Accuracy	Max (±2°C/3.6°F, ±2%), for the ambient temp. 15°C to 35°C (59°F to 95°F) and object temp. above 0°C (32°F)
Measurement Tools	Center Spot, Hot Spot, Cold Spot User-definable: 3 spots, 3 rectangles and 1 line
Level and Span Mode	Auto/Manual
Data Storage and Communication	
Image File Format	Radiometric JPEG, saved in HIKMICRO Viewer App
Video File Format	MP4 video (25 Hz), saved in HIKMICRO Viewer App
Radiometric Infrared-Video Streaming (Compressed)	Over UVC (5Hz)
General	
Wi-Fi	802.11 b/g/n (2.4 GHz and 5 GHz)
USB Interface	USB Type-C
Installation Method	Clipping it onto your phone or tablet, magnetic wall mounting, or tripod mounting
Software Compatibility	HIKMICRO Viewer app for iOS and Android, HIKMICRO Analyzer software for Windows
Device Compatibility	iOS (version 14 and later), Android (version 9 and later) smartphones and tablets, or Windows devices
Power Supply	USB-C (5V/2A)
Power Saving Mode	Auto Power-off
Battery Type	Rechargeable Li-ion battery
Battery Operating Time	Approx. 4 hours
Battery Charging Time	Supports fast charging. Charge to 50% capacity in 30 minutes, 85% in 1 hour, and 100% in 2 hours.

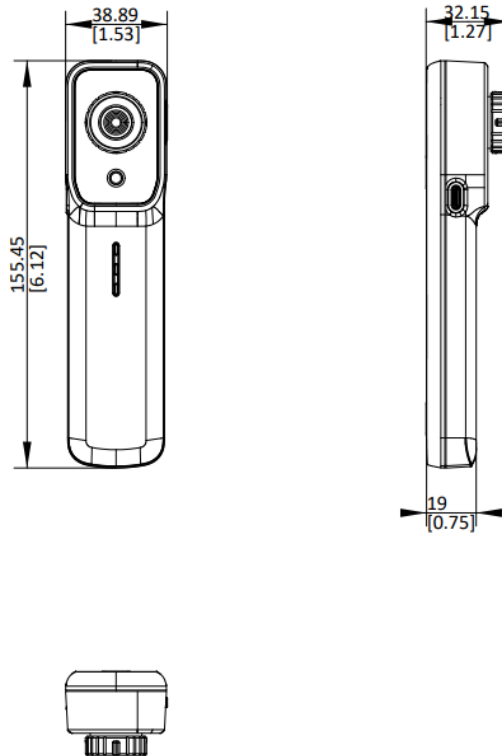
Battery Indicator	Yes, indicating battery level and charging status
Protection Level	IP54
Drop Test Height	1 m (3.28 ft)
Working Temperature Range	-10°C to 50°C (-4°F to 122°F)
Storage Temperature Range	-20°C to 70°C (-4°F to 158°F)
Relative Humidity	< 95% non-condensing
Weight	Approx. 158 g (0.35 lb)
Dimension	155.45 × 38.89 × 32.15 mm (6.12 × 1.53 × 1.27 in)

▪ **Available Model**

HM-TJ52-3AQF/W-MiniX

HM-TJ52G-3AQF/W-MiniX

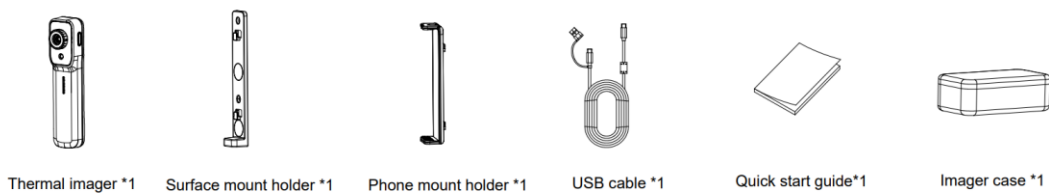
▪ **Dimension**



Unit: mm [inch]



•Packaging List



■ **COMPLIANCE NOTICE:** The thermal series products might be subject to export controls in various countries or regions, including without limitation, the United States, European Union, United Kingdom and/or other member countries of the Wassenaar Arrangement. Please consult your professional legal or compliance expert or local government authorities for any necessary export license requirements if you intend to transfer, export, re-export the thermal series products between different countries.



 Hikmicro Industrial

 hikmicro_industrial

 HIKMICRO Industrial

 HIKMICRO

 info@hikmicrotech.com

 www.hikmicrotech.com

© Hangzhou Microimage Software Co., Ltd. All Rights Reserved.

*Note: Specifications are subject to change without notice. For the current specs,
please go to www.hikmicrotech.com