

PRODUCT PROFILE



ORDER INFORMATION

Product	Outputs	Certification
RI-70-100-P	Pulse	CE MID

SPECIFICATION

Display	: Liquid crystal display with backlight
Display Update Time	: 1 sec for all parameters
Display Scrolling	: Automatic
Wiring Input	: 3 ϕ - 4 wire
Installation Category	: CAT III
Mounting	: DIN rail mounting
Meter Type	: Indoor
Voltage	: 3 x 230/400 VAC
Voltage Range	: 3 x 161/279 to 300/500 VAC
Max Current	: 100 A
Frequency	: 50 Hz \pm 10%
Accuracy Class	: EN50470-3: Cl.B
Voltage Withstand	: 2 KV AC for 1 minute
Voltage Surge	: 6KV for 1.2uS
Withstand	
Current Withstand	: 30 I _{max} for 10mS
Power Consumption	: \leq 2W / 10VA per phase
Temperature	: Operating: -25°C to 55°C / Storage: -30°C to 70°C
Humidity	: Operating 75% / Storage 95%
IP Rating	: IP51
Communications	: Pulse output - 400 imp/KWh
Enclosure Material	: Front Panel: PC inflammable retarding Cover/Base: ABS inflammable retarding

The meter is intended to be installed in Mechanical Environment 'M1', with shock and vibrations of low significance, as per 2004/22/EC Directive. The meter is intended to be installed in Electromagnetic Environment 'E2', as per 2004/22/

SAFETY PRECAUTIONS

Safety related notification, symbols and instructions that appear in this operating manual or on the equipment must be strictly followed to ensure the safety of personnel as well as the instrument.

If the equipment is not used in a manner specified by the manufacturer it may impair the protection provided by the equipment.

- Do not use the equipment if there is any mechanical damage
- Ensure that the equipment is supplied with correct voltage
- No repairs, maintenance or adjustments are possible

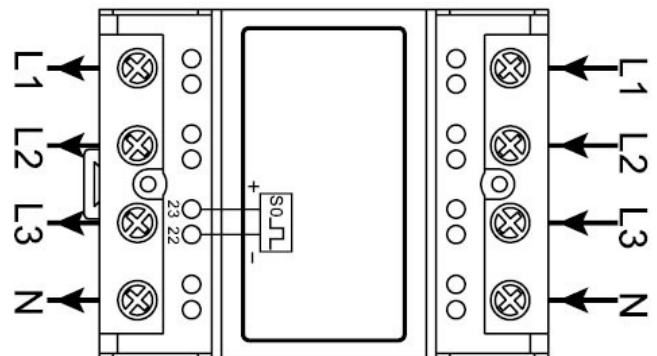
CAUTION

1. Read complete instruction prior to installation or operation of the unit.
2. Risk of electric shock. Only to be installed by competent personnel.
3. The equipment in its installed state must not come into close proximity to any heating sources, oils, steam, caustic vapours or other unwanted process by-products.

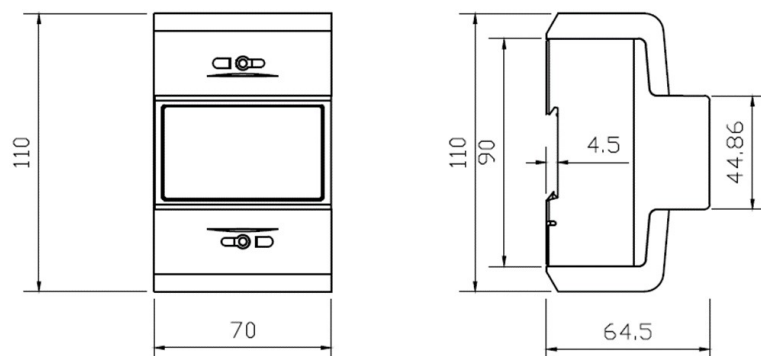
WIRING GUIDELINES

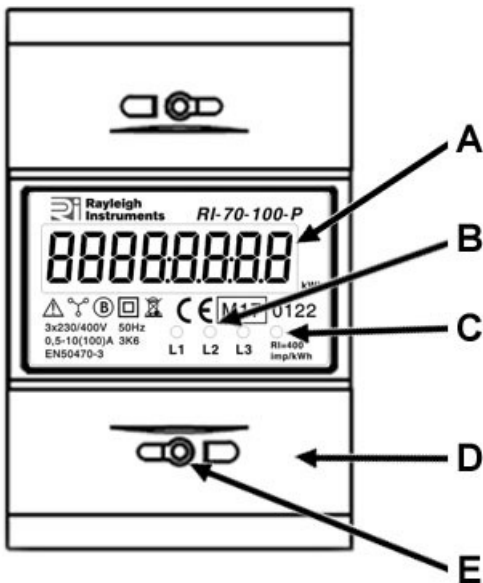
1. To prevent the risk of electrocution, always isolate the power supply to the equipment prior to undertaking any work. Always confirm absence of supply prior to starting work using appropriate voltage detection equipment.
2. Wiring shall be done strictly according to the terminal layout. Confirm that all connections are correct before energizing the equipment.
3. To reduce electromagnetic interference use of wires with adequate ratings and twists of equal size are recommended. All connection should be kept as short as possible.
4. Routing of connecting cables shall be away from any internal EMI sources.
5. Cables used for power connections must have a cross section of 2.1mm² to 33.6 mm² (14 to 2 AWG : 75°C min).
6. Copper cable should be used (stranded or solid core cable).
7. All wiring to be in accordance with applicable local standards.

WIRING DIAGRAM



DIMENSIONS





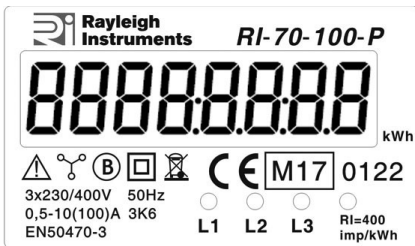
- A 8 Digits (6+2) LCD Display
- B Consumption Indicators (L1 / L2 / L3)
- C Pulse Output Indicator
- D Terminal Covers
- E Security Hasp

- L1 Yellow = Phase A current ON
- L2 Green = Phase B current ON
- L3 Red = Phase C current ON

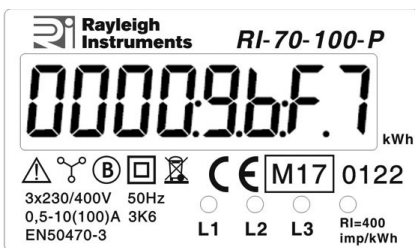
OPERATION

DECLARATION OF CONFORMITY

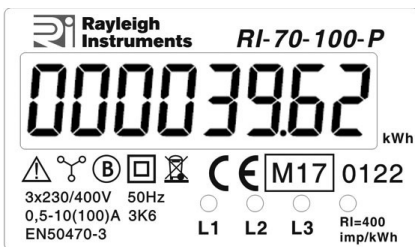
POWER ON



Screen 1
Start Up



Screen 2
Software Version



Screen 3
KWh Reading



Rayleigh Instruments Limited
Raytel House, Cutlers Road,
South Woodham Ferrers,
Chelmsford, Essex,
CM3 5WA
UK
Sales: 01245 428500
Fax: 01245 428504
Email: sales@rayleigh.co.uk
Web: www.rayleigh.co.uk

DECLARATION OF CONFORMITY

According to Directive 2014/32/EU

EC Type Examination Certificate Number: T11065
MID Annex B
Issued by: NMI Certain B.V
Report Number NMI-15200659-03

Product : Three Phase Energy Meter
Model No. : RI-70-100-P / RI-70-100-A
Rating : 100A

The test sample has been tested in accordance with the requirements of:

Standards:
EN 50470-1
EN 50470-3

The technical documentation required to demonstrate that the products meet the requirements of the above EU directives have been compiled and are available for inspection by relevant enforcement authorities.

The fulfilment of the essential requirements set out in Annex I and in the relevant instrument-specific Annexes has been demonstrated.

This declaration of conformity is issued under the sole responsibility of the manufacturer.

The object of the declaration described above is in conformity with the relevant Union harmonization legislation.



Approved by:
Date: 21/04/2017

- EN 50470-1
- EN 50470-3
- Safety
- Harmonization
- EMC
- Energy Efficiency
- 1000000



Customer: E.ON Energy Distribution
Reference: 15200659-03
No. of Products: 1000000
15200659-03
15200659-03