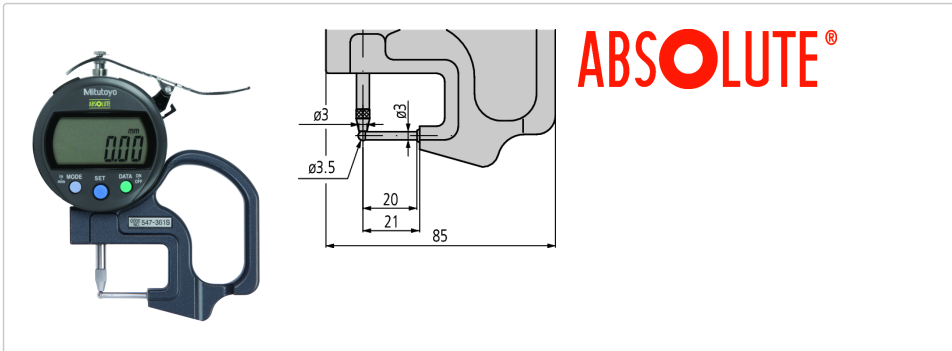


ABS Digital Thickness Gauge Inch/Metric, 0-0,4", 0,0005"/0,01mm, Tube Thickness Item number: 547-361S



Description




This ABSOLUTE Digimatic Thickness Gauge enables you to measure tube wall thickness.

Specification

Digital step:	0,0005"/0,01 mm
Data output:	Yes
Mass:	240 g
Measuring force:	≤ 1,5 N
Battery life:	approx. 7000 hours
Alarm:	Low voltage, counting value composition error, overflow error, tolerance limit setting error (ID-C only)
Contact point:	Thread # 4-48UNF
Power supply:	1 battery SR-44
ON/OFF:	Yes
ZERO/ABS:	Yes
PRESET:	Yes
GO/±NG judgement:	Yes
Calculation function (with formula):	Yes
Counting direction switchable:	Yes
Inch-Metric:	Inch/Metric

Accessories

Optional accessories:

	Digimatic Cable, Flat Straight Type 1m 905338 List Price £40.68 inc. VAT £33.90 ex. VAT
	Digimatic Cable, Flat Straight Type 2m 905409 List Price £45.60 inc. VAT £38.00 ex. VAT
	USB Input Tool Direct (Digimatic USB) Digi/Digi2, Flat Straight Type 06AFM380F



List Price

£138.00 inc. VAT

£115.00 ex. VAT



**U-WAVE-T, Buzzer Type
Wireless Transmitter**

List Price

£231.60 inc. VAT

£193.00 ex. VAT



**U-WAVE-T, IP67 Type
Wireless Transmitter**

List Price

£231.60 inc. VAT

£193.00 ex. VAT



**U-WAVE-T Connection Cable F
Flat Straight Type**

List Price

£74.40 inc. VAT

£62.00 ex. VAT

Spare parts

Consumable spares:



Battery SR44 1.5V
938882



SR44 (SII)
button battery
BD002