

Digital Indicator ID-C

Inch/Metric, 1", 0,0005", Flat Back

Item number: 543-475B



Description

This is a multifunction indicator that is reliable and easy to use.

The ABSOLUTE Digimatic Indicator ID-C offers you the following benefits:

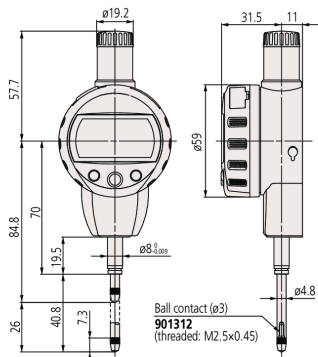
- The ABSOLUTE sensor means you don't have to carry out origin setting every time you power it on, saving you time and hassle.
- GO/±NG judgement is performed by setting the upper and lower tolerances.
- You can make simple calculations by a user-definable factor using the formula Ax (x is spindle displacement).
- Large character height of 11 mm provides good readability.
- Display 330° rotatable.
- A function lock protects the display against unauthorised use.

Specification

Range:	1"/25.4 mm
No.	543-475
Lug back plate:	
Range:	1" Inch
Digital step:	0,0005"/0,01 mm
Data output:	Yes
Max. Permissible Error (Total Range):	0,001"/0,02 mm
Hysteresis:	0,001"/0,02 mm
H MPE (Hysteresis):	0,001"/0,02 mm
Mass:	190 g
Repeatability:	0,0005"/0,02 mm
Measuring force:	≤1,8 N N
Battery life:	approx. 7000 hours
Protection:	IP42
Display:	LCD, character height 11 mm rotatable 330°
Max. response speed:	Unlimited
Alarm:	Low voltage, counting value composition error, overflow error, tolerance limit setting error
Stem Ø:	8 mm
Contact point:	Carbide ball, thread M 2.5 x 0.45 mm
Power supply:	1 battery SR-44
Delivered:	Including 1 battery
ON/OFF:	Yes
ZERO/ABS:	Yes
PRESET:	Yes
Low voltage alarm:	Yes
GO/±NG judgement:	Yes

Calculation function (with formula):	Yes
Counting direction switchable:	Yes
Selectable resolution:	Yes
Digital/Analog:	Digital
Inch-Metric:	Inch/Metric
Type:	EN ISO Standard

Dimensions



Accessories

Optional accessories:



Digimatic Cable, Flat Straight Type

1m

905338

List Price

£40.68 inc. VAT

£33.90 ex. VAT



Digimatic Cable, Flat Straight Type

2m

905409

List Price

£45.60 inc. VAT

£38.00 ex. VAT



USB Input Tool Direct (Digimatic USB)

Digi/Digi2, Flat Straight Type

06AFM380F

List Price

£138.00 inc. VAT

£115.00 ex. VAT



U-WAVE-T, Buzzer Type

Wireless Transmitter

02AZD880G

List Price

£231.60 inc. VAT

£193.00 ex. VAT



U-WAVE-T, IP67 Type

Wireless Transmitter

02AZD730G

List Price

£231.60 inc. VAT

£193.00 ex. VAT



U-WAVE-T Connection Cable F

Flat Straight Type

02AZD790F



List Price

£74.40 inc. VAT

£62.00 ex. VAT



Spindle Lifting Cable

500mm

540774

List Price

24.40 ex. VAT



Spindle Lifting Cable Auto-Stop

300mm

901975

List Price

15.20 ex. VAT



Spindle Lifting Lever for 12,7mm Range

21EZA198

List Price

6.30 ex. VAT



Spindle Lifting Knob for 12,5mm, Metric

21EZA105

List Price

£16.32 inc. VAT

£13.60 ex. VAT



Spare parts

Consumable spares:



Battery SR44 1.5V

938882