

## Vernier Depth Gauge 0-300mm, 0,02mm, Fine adjustment

Item number: 527-103



### Description

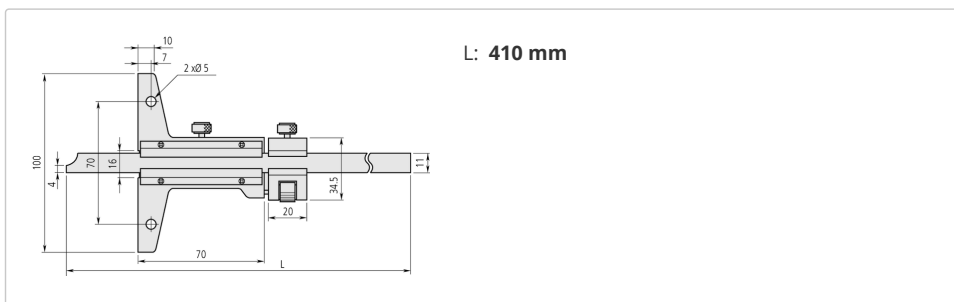
This vernier depth gauge offers you the following benefits:

- Its base and measuring faces are hardened and micro-lapped for robustness.
- Fine adjustment models available

### Specification




Range:	<b>0 - 300 mm</b>
Graduation:	<b>0,02 mm</b>
Base (W x T):	<b>100 x 6.5 mm</b>
Mass:	<b>350 g</b>
Digital/Analog:	<b>Analog</b>
Accuracy:	<b>±0,04 mm</b>
Inch-Metric:	<b>Metric</b>

### Dimensions



### Accessories

#### Optional accessories:

	<b>Extension Base, Depth Gauge</b> <b>180mm width for up to 300mm Range</b> <b>900370</b> List Price <b>£42.72 inc. VAT</b> <b>£35.60 ex. VAT</b>
	<b>Extension Base, Depth Gauge</b> <b>260mm width for up to 300mm Range</b> <b>900371</b> List Price <b>£62.40 inc. VAT</b> <b>£52.00 ex. VAT</b>
	<b>Extension Base, Depth Gauge</b> <b>320mm width for up to 300mm Range</b> <b>900372</b> List Price <b>£75.00 inc. VAT</b> <b>£62.50 ex. VAT</b>