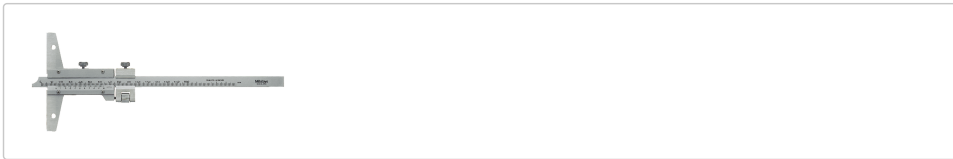


Vernier Depth Gauge

0-150mm, 0,02mm, Fine adjustment

Item number: 527-101



Description

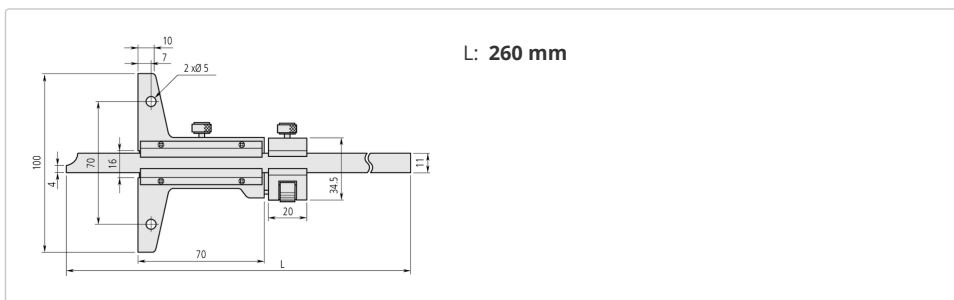
This vernier depth gauge offers you the following benefits:

- Its base and measuring faces are hardened and micro-lapped for robustness.
- Fine adjustment models available

Specification




Range:	0 - 150 mm
Graduation:	0,02 mm
Base (W x T):	100 x 6.5 mm
Mass:	280 g
Digital/Analog:	Analog
Accuracy:	±0,03 mm
Inch-Metric:	Metric

Dimensions



Accessories

Optional accessories:

	Extension Base, Depth Gauge 180mm width for up to 300mm Range 900370 List Price £42.72 inc. VAT £35.60 ex. VAT
	Extension Base, Depth Gauge 260mm width for up to 300mm Range 900371 List Price £62.40 inc. VAT £52.00 ex. VAT
	Extension Base, Depth Gauge 320mm width for up to 300mm Range 900372 List Price £75.00 inc. VAT £62.50 ex. VAT