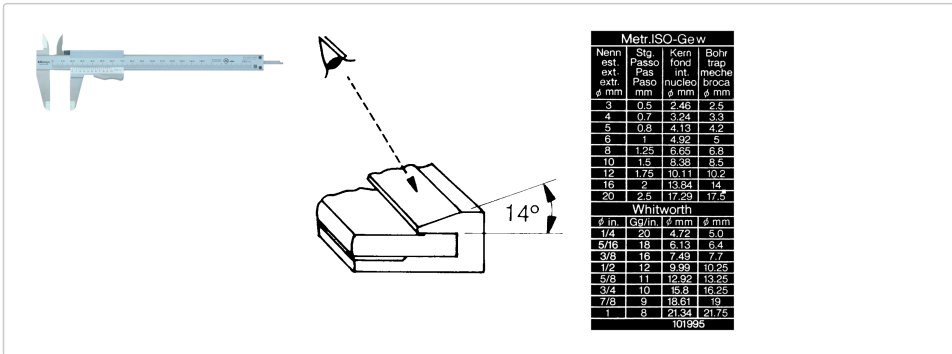


Vernier Caliper with Thumb Clamp 0-150mm, 0,05mm, Metric Item number: 531-101



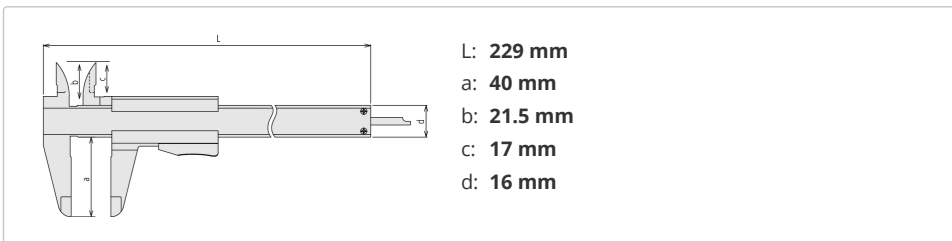
Description

This vernier caliper with thumb clamp only moves when you depress the spring-loaded thumb grip.

Specification



| | |
|-----------------|-------------------|
| Range: | 0 - 150 mm |
| Accuracy: | ±0,05 mm |
| Depth bar: | flat |
| Graduation: | 0.05 mm |
| Mass: | 142 g |
| Delivered: | In a box |
| Digital/Analog: | Analog |
| Inch-Metric: | Metric |

Dimensions



Accessories

Standard accessories:

| | |
|---|---|
|  | <p>Depth Base Attachment for Caliper, 75mm width 75mm width for 100, 150, 200mm Range 050083-10 List Price £49.92 inc. VAT £41.60 ex. VAT</p> |
|  | <p>Depth Base Attachment for Caliper 100mm width for 100, 150, 200mm Range 050084-10 List Price £56.88 inc. VAT £47.40 ex. VAT</p> |