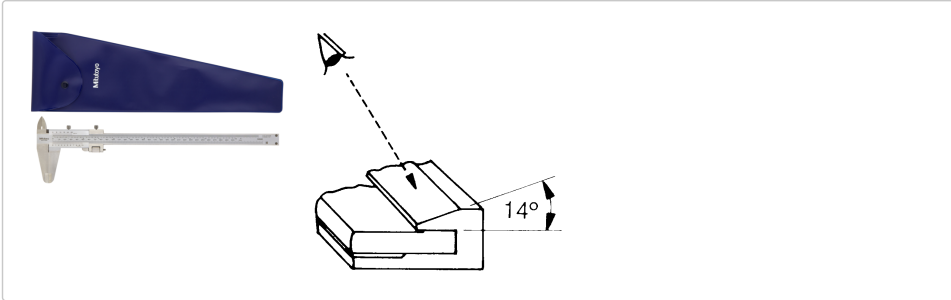


## Vernier Caliper, Fine Adjustment 0-280mm, 0,02mm, Metric/inch Item number: 532-121



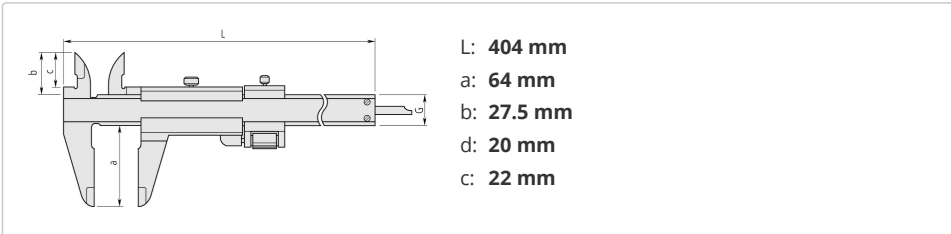
### Description

This is a vernier Caliper with fine-adjustment to help you with slider positioning.

### Specification




Range:	0 - 11 Inch
Range:	0 - 280 mm
Depth bar:	flat
Graduation:	0,02 mm/ 0,001"
Mass:	395 g
Delivered:	In a box
Digital/Analog:	Analog
Inch-Metric:	Metric/Inch

### Dimensions



### Accessories

#### Optional accessories:

	<b>Depth Base Attachment for Caliper, 75mm width</b> <b>75mm width for 100, 150, 200mm Range</b> <b>050083-10</b> List Price <b>£49.92 inc. VAT</b> <b>£41.60 ex. VAT</b>
	<b>Depth Base Attachment for Caliper</b> <b>100mm width for 100, 150, 200mm Range</b> <b>050084-10</b> List Price <b>£56.88 inc. VAT</b> <b>£47.40 ex. VAT</b>
	<b>Depth Base Attachment for Caliper</b> <b>125mm width for 300mm Range</b> <b>050085-10</b>



List Price

**£64.08** inc. VAT

**£53.40** ex. VAT