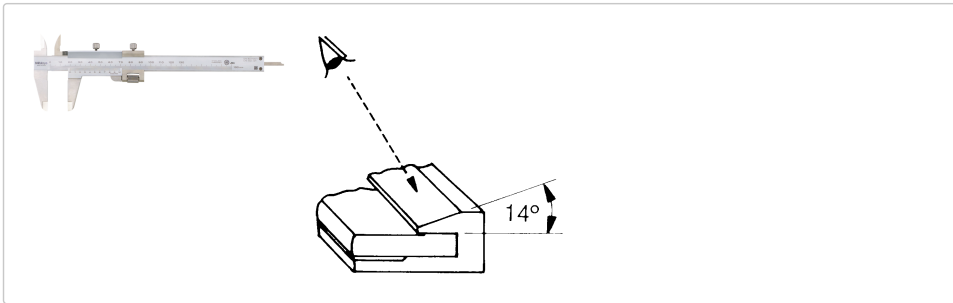


Vernier Caliper, Fine Adjustment

0-130mm, 0,02mm, Metric

Item number: 532-101



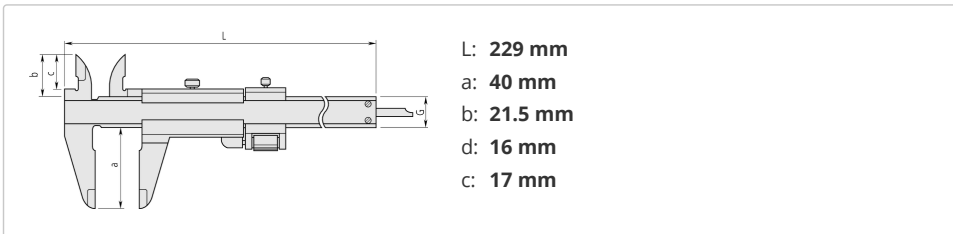
Description

This is a vernier Caliper with fine-adjustment to help you with slider positioning.

Specification

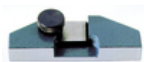
Range:	0 - 130 mm
Accuracy:	±0,03 mm
Depth bar:	flat
Graduation:	0.02 mm
Mass:	165 g
Delivered:	In a box
Digital/Analog:	Analog
Inch-Metric:	Metric

Dimensions



Accessories

Standard accessories:



Depth Base Attachment for Caliper, 75mm width 75mm width for 100, 150, 200mm Range

050083-10

List Price

£49.92 inc. VAT

£41.60 ex. VAT



Depth Base Attachment for Caliper 100mm width for 100, 150, 200mm Range

050084-10

List Price

£56.88 inc. VAT

£47.40 ex. VAT