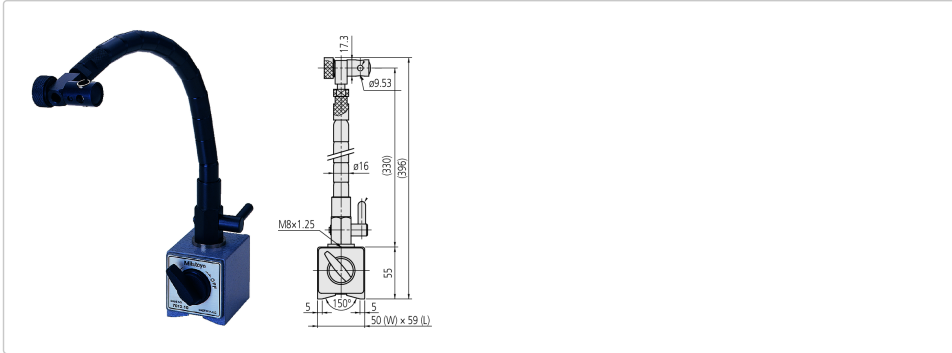


Magnetic Stand with Flexible Arm 250mm Working Radius

Item number: 7012-10



Description

With V-block base and flexible arm.

Specification

Clamping device:	magnetic
Magnetic force (vertical):	600 N
Total height:	396 mm
Fine adjustment:	None mm
Stem hole \varnothing :	6 mm, 3/8" / 9.53 mm, 8 mm (with stem bush)
Thread Arm/Base:	M8 x 1.25
Mass:	1500 g

Accessories

Standard accessories:



Stem Bush for Magnet Stand

9,53mm to 8mm

02AZC291

List Price

5.30 ex. VAT